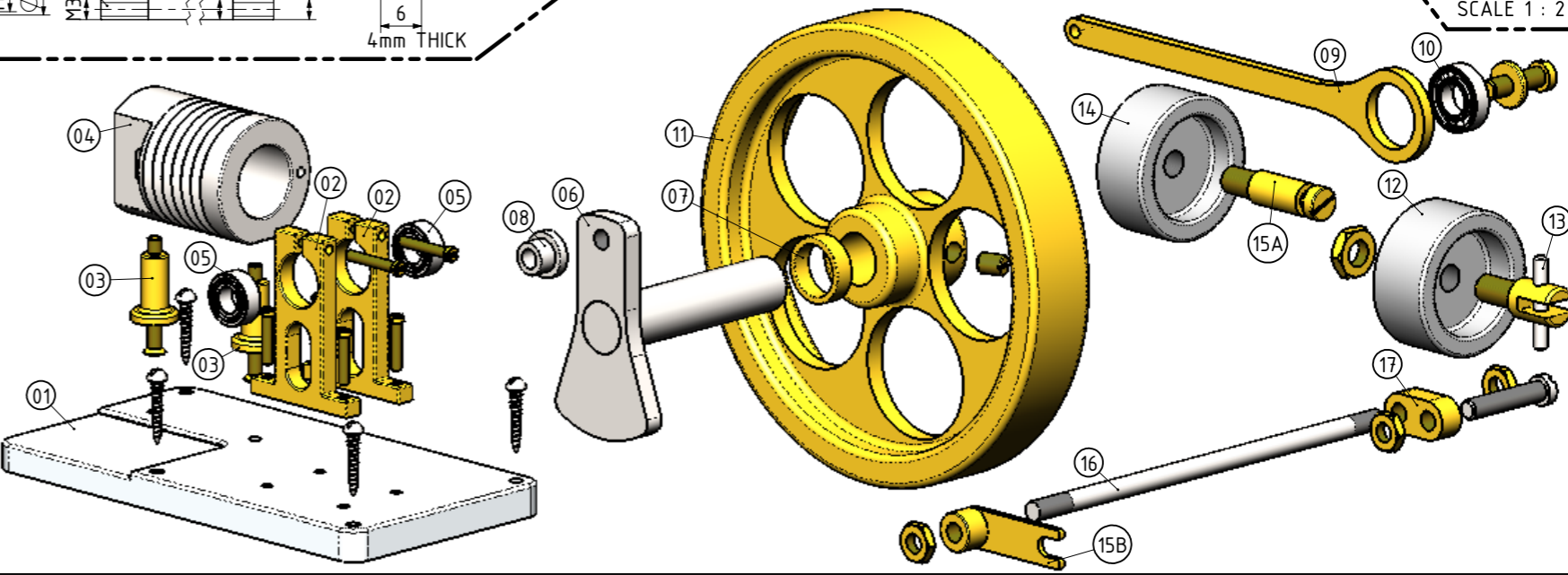
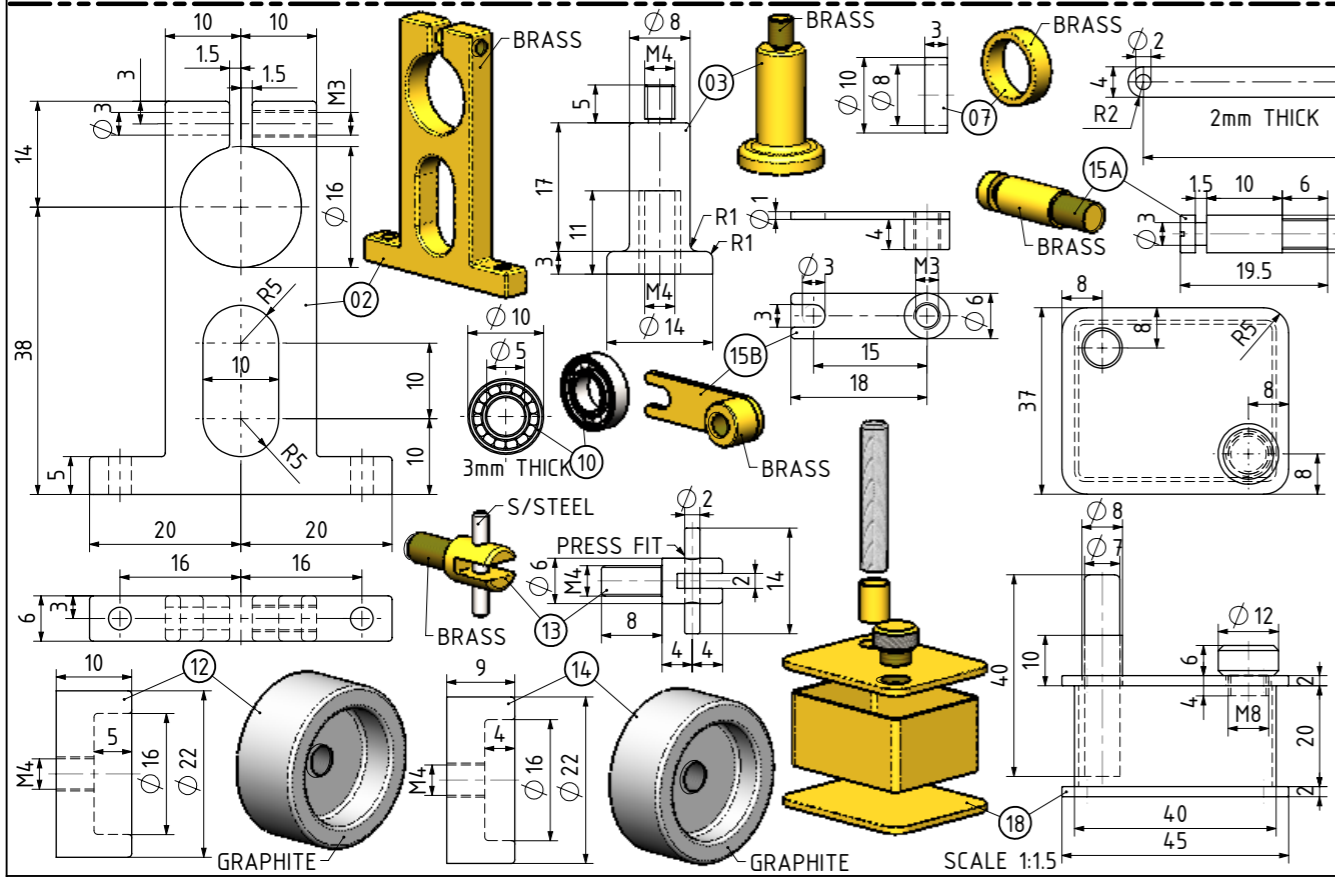
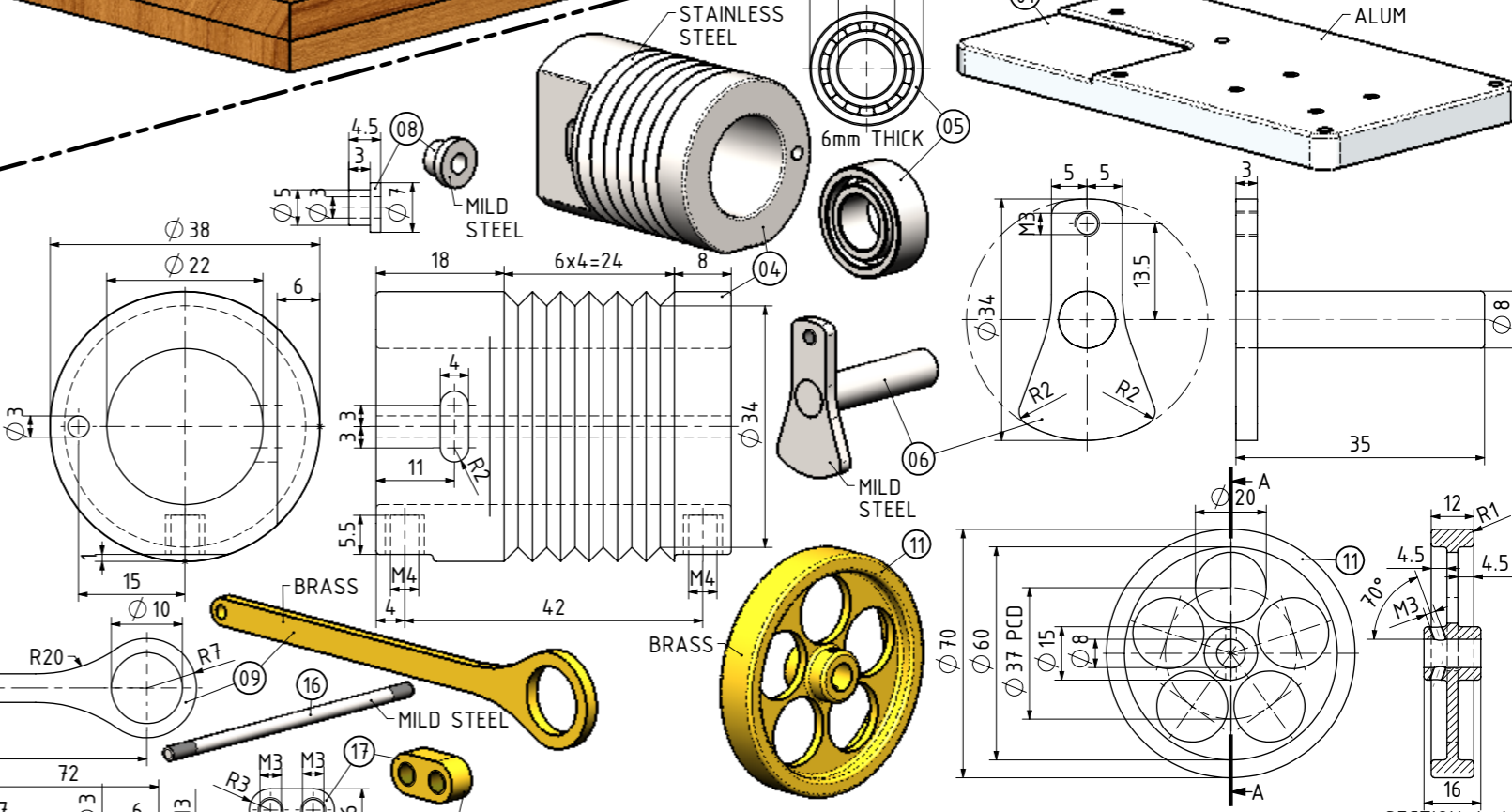
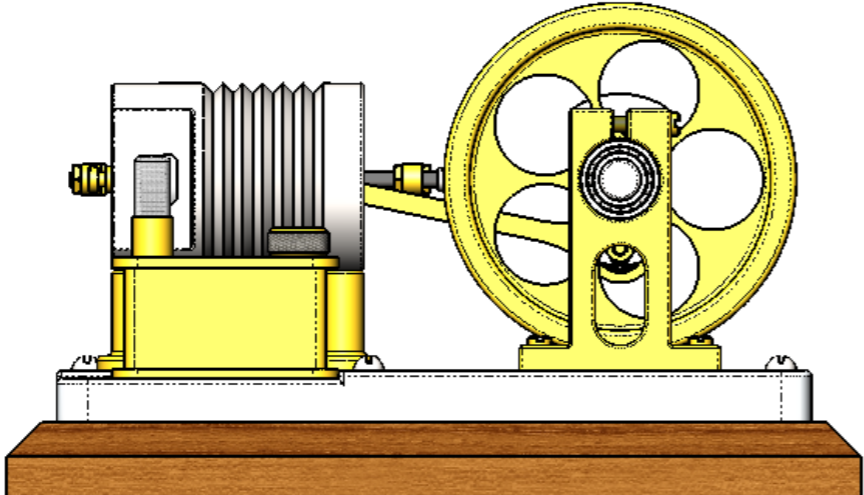
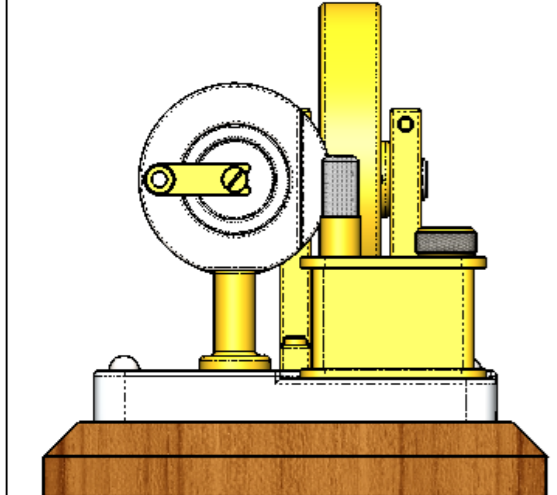
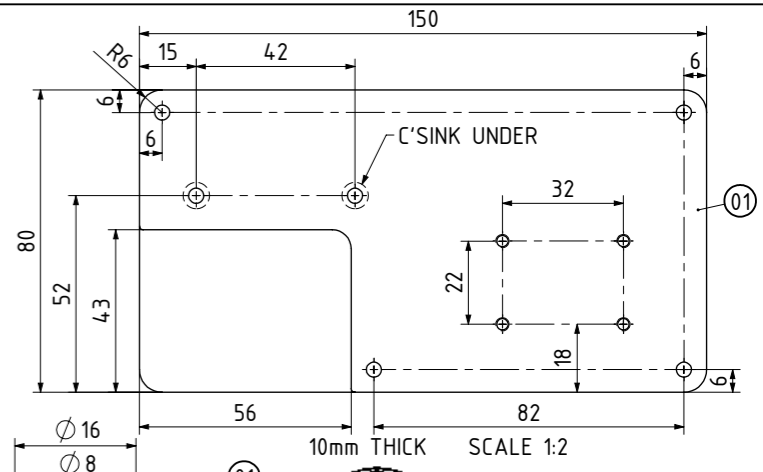
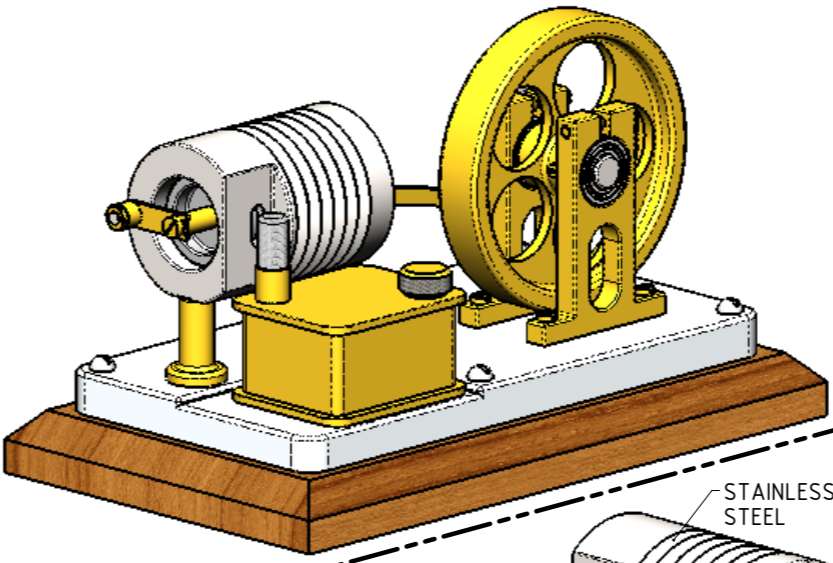
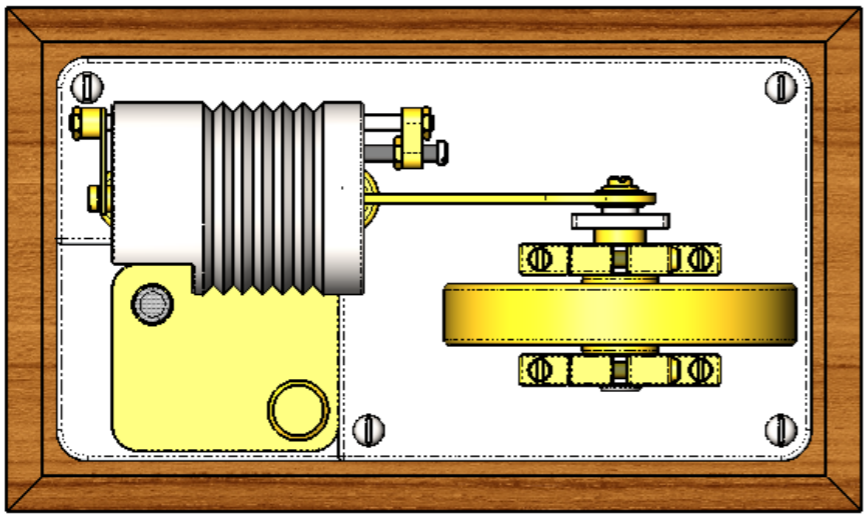


QTY.	PART NUMBER
1	FEWIV-01-BASE PLATE
2	FEWIV-02-MAIN BEARING SUPPORT
2	FEWIV-03-CYLINDER SUPPORT
1	FEWIV-04-CYLINDER
2	FEWIV-05-MAIN CRANK SHAFT BALL BEARING
1	FEWIV-06-CRANK SHAFT
1	FEWIV-07-CRANK SHAFT SPACER
1	FEWIV-08-CRANK PIN
1	FEWIV-09-CON-ROD
1	FEWIV-10-CON-ROD BALL BEARING
1	FEWIV-11-FLYWHEEL
1	FEWIV-12-PISTON
1	FEWIV-13-PISTON YOKE
1	FEWIV-14-INTERNAL VALVE
1	FEWIV-15A-VALVE PUSH ROD CONNECTOR
1	FEWIV-15B-VALVE PUSH ROD YOKE
1	FEWIV-16-VALVE PUSH ROD
1	FEWIV-17-VALVE PUSH ROD ADJUSTER
1	FEWIV-18-FUEL TANK
1	FEWIV-19-WOOD BASE
4	FEWIV-M3 NUT
1	FEWIV-M3x1 WASHER
1	FEWIV-M3x10 P-HEAD SCREW
1	FEWIV-M3x12 P-HEAD SCREW
4	FEWIV-M3x15 P-HEAD SCREW
2	FEWIV-M3x20 P-HEAD SCREW
2	FEWIV-M3x5 GRUB SCREW
1	FEWIV-M4 NUT
2	FEWIV-M4x20 C-SINK SCREW
4	FEWIV-WOOD SCREW 4x15



NOTES:
 TITLE
FLAME EATER WITH INTERNAL VALVE
 BY J. RIDDERS (HOLLAND)

DRAWING CONTENTS
GENERAL ARRANGEMENT, ISOMETRIC
VIEW, BOM, PARTS AND ASSEMBLIES

PROJECT No
JDW DRAUGHTING SERVICES
 J.A.M. DE WAAL, 12 BRIGHTWELL STREET PAPAOKURA 2110.
 NEW ZEALAND. PHONE: 0064 09 2988815. MOB: 0211791000
 E-MAIL: dewaal@xtra.co.nz.

PROJECTION
 DATE
SEPT-2013
 SHEET:01 OF XX

MODEL SCALE: 1:1
 DWG SCALE: 1:1 @A3 OR AS SHOWN
 Copyright © J.A.M. DE WAAL PAPAOKURA NZ
A3 No: FEWIV-01