

NOTES: THE ORIGINAL PLANN/DRAWING WAS GIVEN TO ME. THE ORIGINAL DESIGN WAS BY M. P. SYMES. NO DATE OR DRAFTER ON THE PLAN. CODE ON PLAN L0983. ORIGINALLY DESIGNED FOR GAUGE 1. THE ENGINE SHOWN ON THESE DRAWINGS IS FOR 64mm (2.5") GAUGE

TITLE  
**A NARROW GAUGE 0-4-0 SPIRITUS FIRED STEAM LOCOMOTIVE CALLED "OSCAR"**

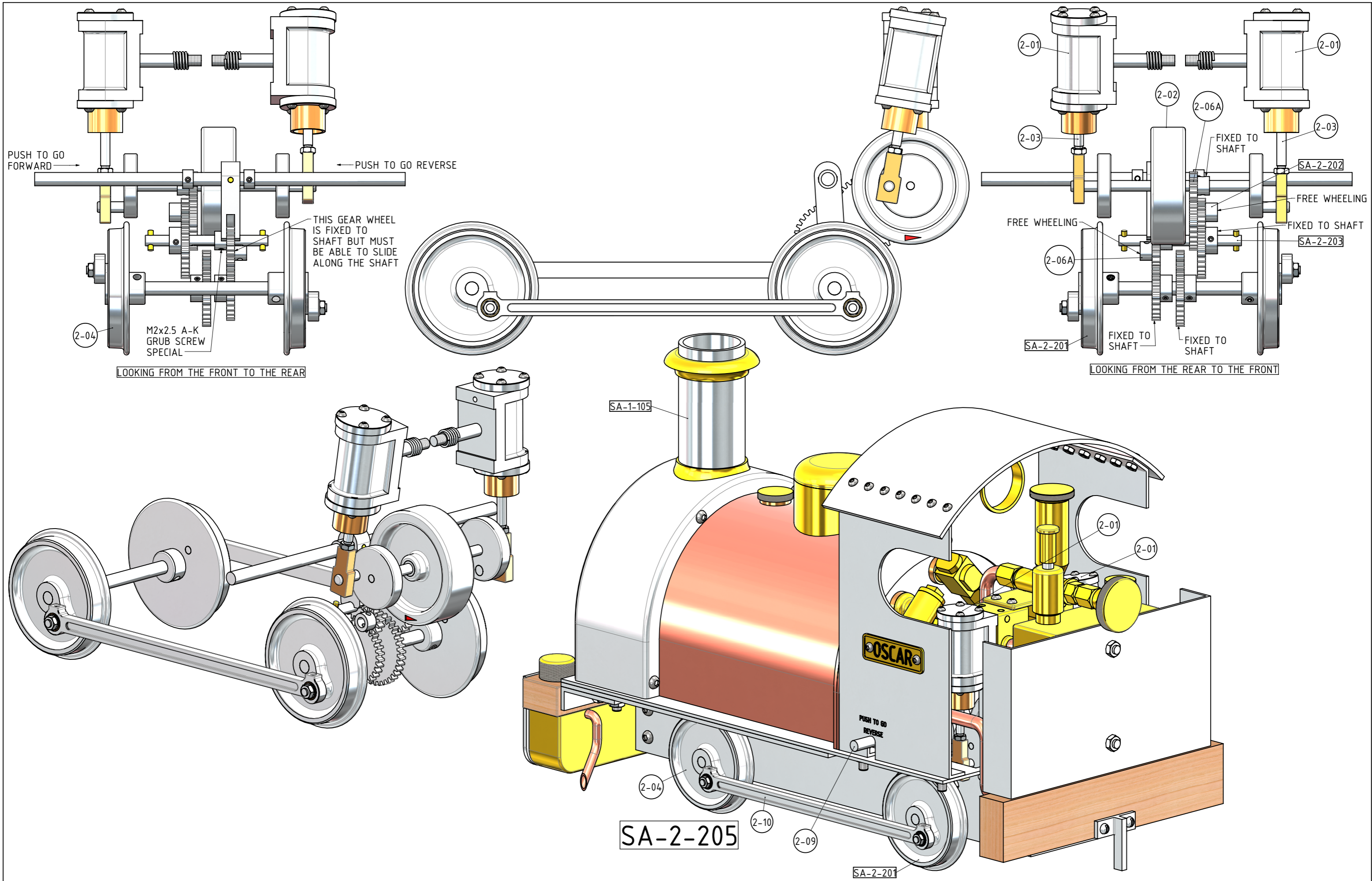
DRAWING CONTENTS  
**PARTS AND ASSEMBLIES**

PROJECT No 07E-24-00  
 JDW DRAUGHTING SERVICES  
 J.A.M. DE WAAL, 12 BRIGHTWELL STREET PAPAOKURA  
 2110, NEW ZEALAND. PHONE: 0064 09 2988815. MOB: 0211791000 E-MAIL: dewaal@xtra.co.nz.

PROJECTION  
 JDWDS  
 DATE MAY 2026  
 SHEET: 06 OF 08

MODEL SCALE: 1:1  
 DWG SCALE: 1:1 @A3 OR AS SHOWN  
 Copyright © J.A.M. DE WAAL PAPAOKURA NZ  
 A3 No:07E-24-00-SHT-06

DRAWINGS ARE FOR PERSONAL USE ONLY NOT FOR COMMERCIAL PURPOSES



NOTES: THE ORIGINAL PLANN/DRAWING WAS GIVEN TO ME. THE ORIGINAL DESIGN WAS BY M. P. SYMES. NO DATE OR DRAFTER ON THE PLAN. CODE ON PLAN L0983. ORIGINALLY DESIGNED FOR GAUGE 1. THE ENGINE SHOWN ON THESE DRAWINGS IS FOR 64mm (2.5") GAUGE

TITLE  
**A NARROW GAUGE 0-4-0 SPIRITUS FIRED STEAM LOCOMOTIVE CALLED "OSCAR"**

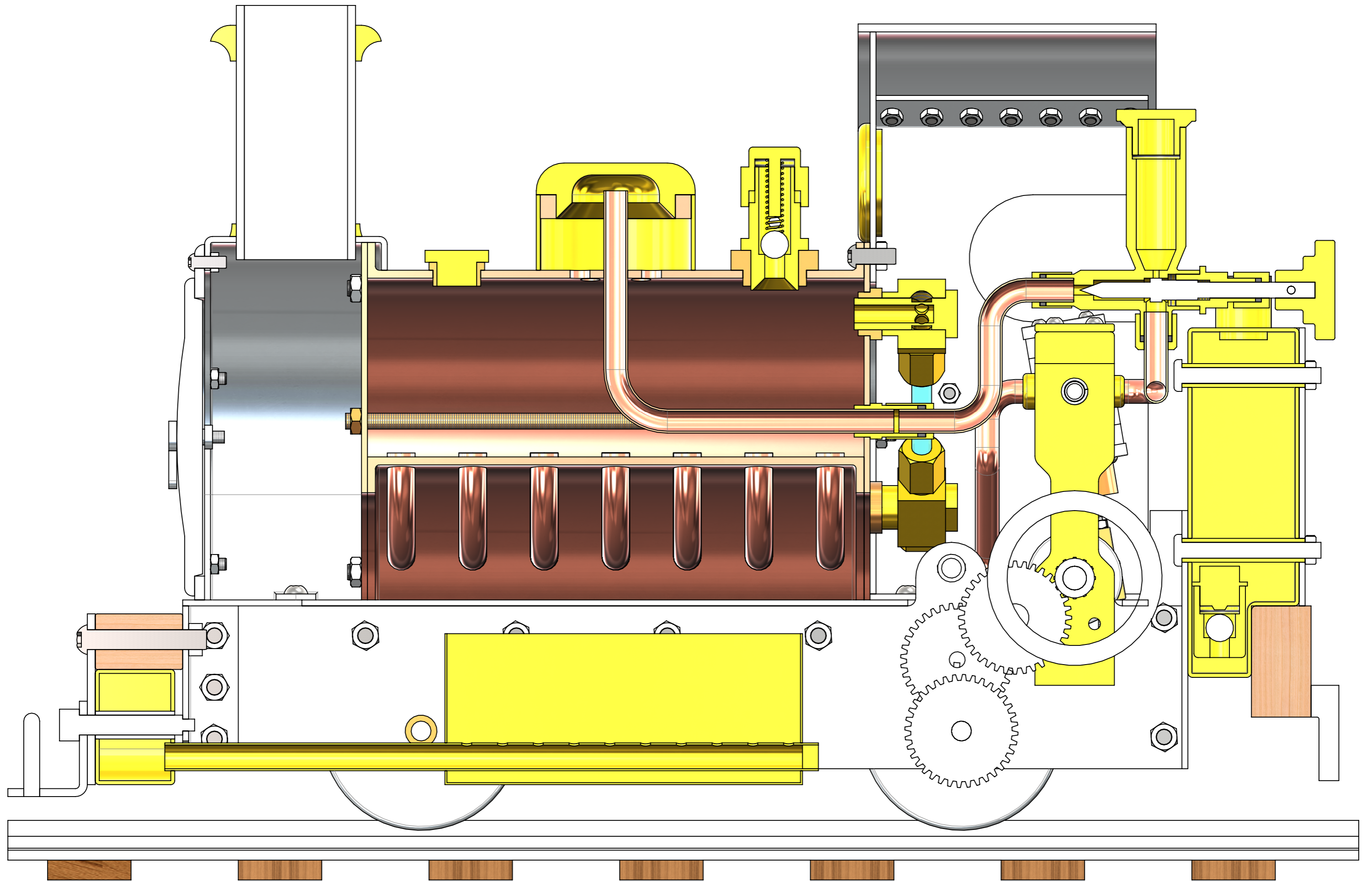
DRAWING CONTENTS  
**PARTS AND ASSEMBLIES**

PROJECT No 07E-24-00  
 JDW DRAUGHTING SERVICES  
 J.A.M. DE WAAL, 12 BRIGHTWELL STREET PAPAOKURA  
 2110, NEW ZEALAND. PHONE: 0064 09 2988815. MOB: 0211791000 E-MAIL: dewaal@xtra.co.nz.

PROJECTION  
**JDWDS**  
 DATE MAY 2026  
 SHEET: 07 OF 08

MODEL SCALE: 1:1  
 DWG SCALE: 1:1 @A3 OR AS SHOWN  
 Copyright © J.A.M. DE WAAL PAPAOKURA NZ  
**A3** No:07E-24-00-SHT-07

DRAWINGS ARE FOR PERSONAL USE ONLY NOT FOR COMMERCIAL PURPOSES



NOTES: THE ORIGINAL PLANN/DRAWING WAS GIVEN TO ME. THE ORIGINAL DESIGN WAS BY M. P. SYMES. NO DATE OR DRAFTER ON THE PLAN. CODE ON PLAN L0983. ORIGINALLY DESIGNED FOR GAUGE 1. THE ENGINE SHOWN ON THESE DRAWINGS IS FOR 64mm (2.5") GAUGE

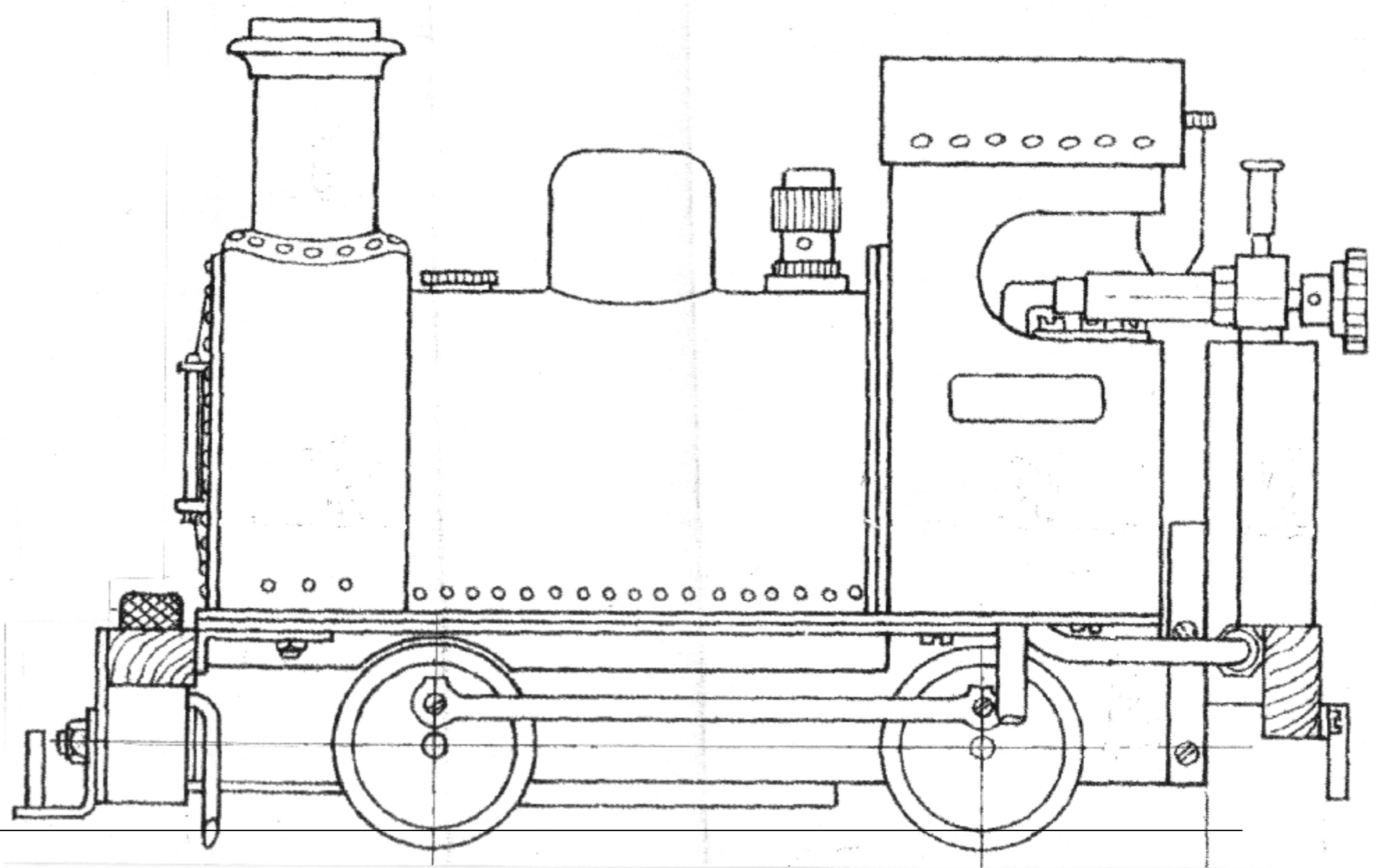
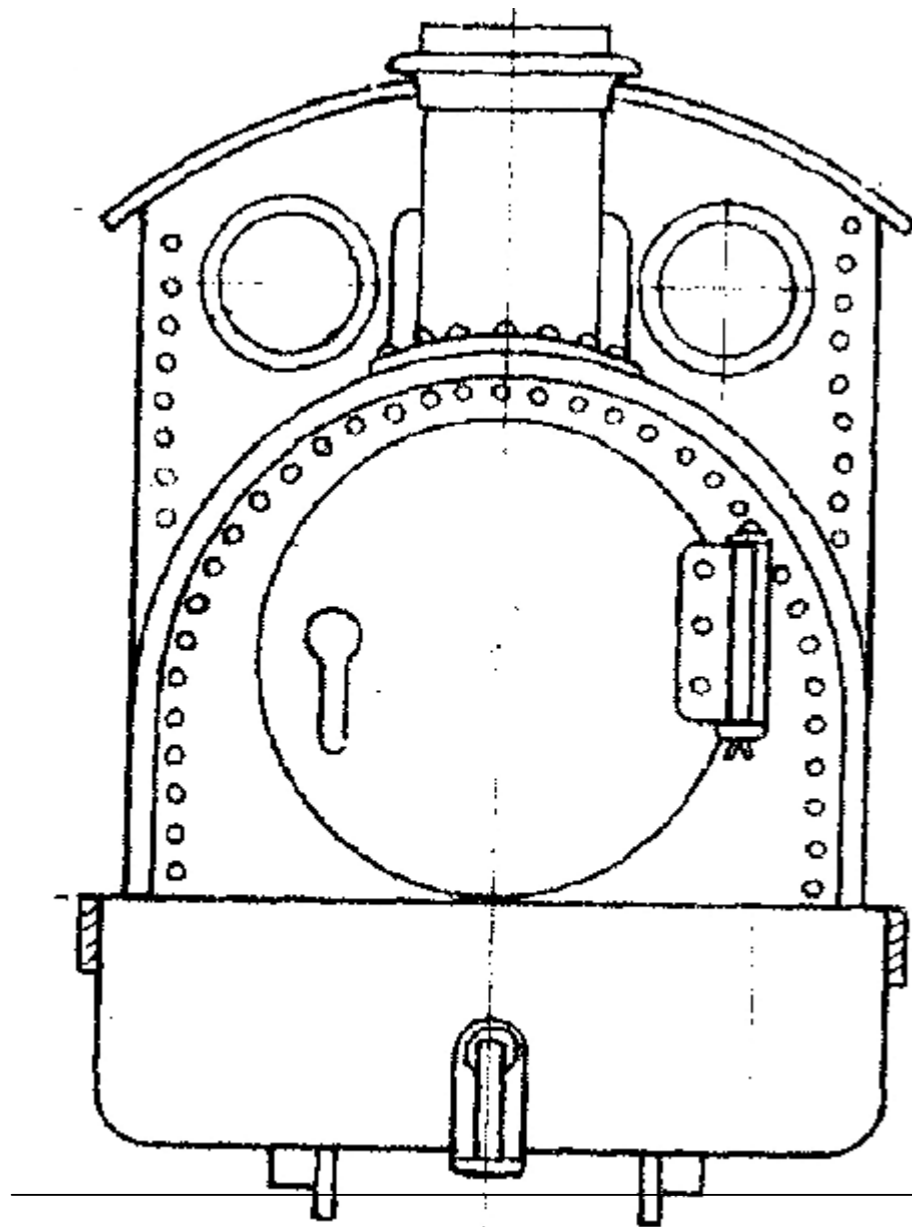
TITLE  
**A NARROW GAUGE 0-4-0 SPIRITUS FIRED  
 STEAM LOCOMOTIVE CALLED "OSCAR"**

DRAWING CONTENTS  
**SECTION ON CENTERLINE**

PROJECT No 07E-24-00  
 JDW DRAUGHTING SERVICES  
 J.A.M. DE WAAL, 12 BRIGHTWELL STREET PAKAPURA  
 2110, NEW ZEALAND. PHONE: 0064 09 2988815. MOB:  
 0211791000 E-MAIL: dewaal@xtra.co.nz.

PROJECTION 	JDWDS	MODEL SCALE: 1:1
DATE MAY 2026	Copyright © J.A.M. DE WAAL PAKAPURA NZ	DWG SCALE: 1:1 @A3 OR AS SHOWN
SHEET: 08 OF 08	A3	No:07E-24-00-SHT-08

DRAWINGS ARE FOR PERSONAL USE ONLY NOT FOR COMMERCIAL PURPOSES



THIS DRAWING SHOWS THE PLACING OF THE RIVETS ON THE ORIGINAL DRAWINGS  
 IF A BUILDER WISH TO INCORPORATE RIVETS IN HIS ENGINE THEN HE/SHE CAN USE THIS DRAWING TO LOCATE WHERE THE RIVETS COULD BE PLACED

NOTES: THE ORIGINAL PLANN/DRAWING WAS GIVEN TO ME. THE ORIGINAL DESIGN WAS BY M. P. SYMES. NO DATE OR DRAFTER ON THE PLAN. CODE ON PLAN L0983. ORIGINALLY DESIGNED FOR GAUGE 1. THE ENGINE SHOWN ON THESE DRAWINGS IS FOR 64mm (2.5") GAUGE

TITLE  
**A NARROW GAUGE 0-4-0 SPIRITUS FIRED  
 STEAM LOCOMOTIVE CALLED "OSCAR"**

DRAWING CONTENTS  
**SHOWING RIVET CONNECTIONS**

PROJECT No 07E-24-00  
 JDW DRAUGHTING SERVICES  
 J.A.M. DE WAAL, 12 BRIGHTWELL STREET PAKAPURA  
 2110, NEW ZEALAND. PHONE: 0064 09 2988815. MOB:  
 0211791000 E-MAIL: dewaal@xtra.co.nz.

PROJECTION 	<b>JDWDS</b>	MODEL SCALE: 1:1
DATE MAY 2026	Copyright © J.A.M. DE WAAL PAKAPURA NZ	DWG SCALE: 1:1 @A3 OR AS SHOWN
SHEET: A OF A	A3	No:07E-24-00-SHT-A

*DRAWINGS ARE FOR PERSONAL USE ONLY NOT FOR COMMERCIAL PURPOSES*