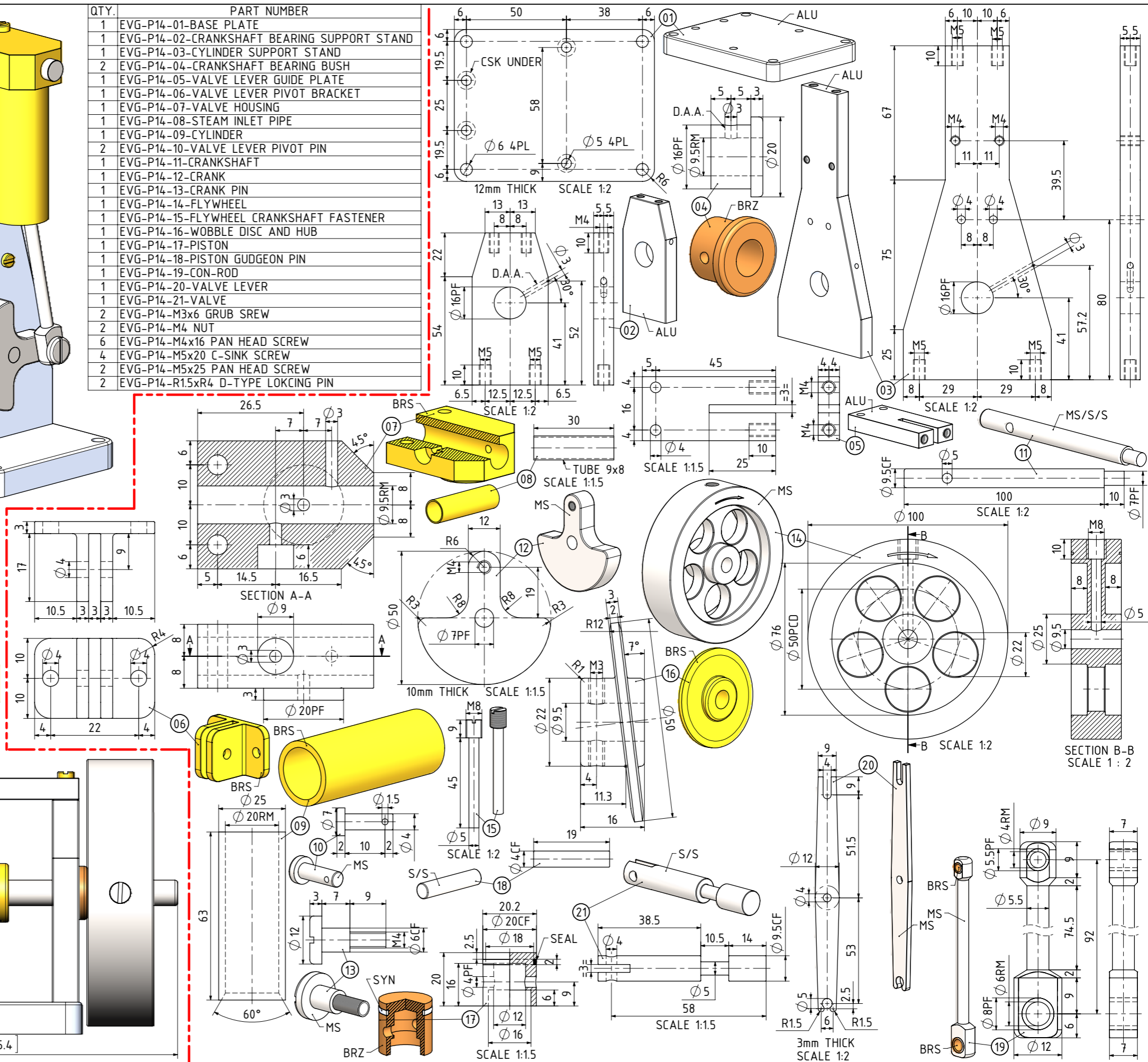


QTY.	PART NUMBER
1	EVG-P14-01-BASE PLATE
1	EVG-P14-02-CRANKSHAFT BEARING SUPPORT STAND
1	EVG-P14-03-CYLINDER SUPPORT STAND
2	EVG-P14-04-CRANKSHAFT BEARING BUSH
1	EVG-P14-05-VALVE LEVER GUIDE PLATE
1	EVG-P14-06-VALVE LEVER PIVOT BRACKET
1	EVG-P14-07-VALVE HOUSING
1	EVG-P14-08-STEAM INLET PIPE
1	EVG-P14-09-CYLINDER
2	EVG-P14-10-VALVE LEVER PIVOT PIN
1	EVG-P14-11-CRANKSHAFT
1	EVG-P14-12-CRANK
1	EVG-P14-13-CRANK PIN
1	EVG-P14-14-FLYWHEEL
1	EVG-P14-15-FLYWHEEL CRANKSHAFT FASTENER
1	EVG-P14-16-WOBBLE DISC AND HUB
1	EVG-P14-17-PISTON
1	EVG-P14-18-PISTON GUDGEON PIN
1	EVG-P14-19-CON-ROD
1	EVG-P14-20-VALVE LEVER
1	EVG-P14-21-VALVE
2	EVG-P14-M3x6 GRUB SREW
2	EVG-P14-M4 NUT
16	EVG-P14-M4x16 PAN HEAD SCREW
4	EVG-P14-M5x20 C-SINK SCREW
2	EVG-P14-M5x25 PAN HEAD SCREW
2	EVG-P14-R1.5xR4 D-TYPE LOKCING PIN



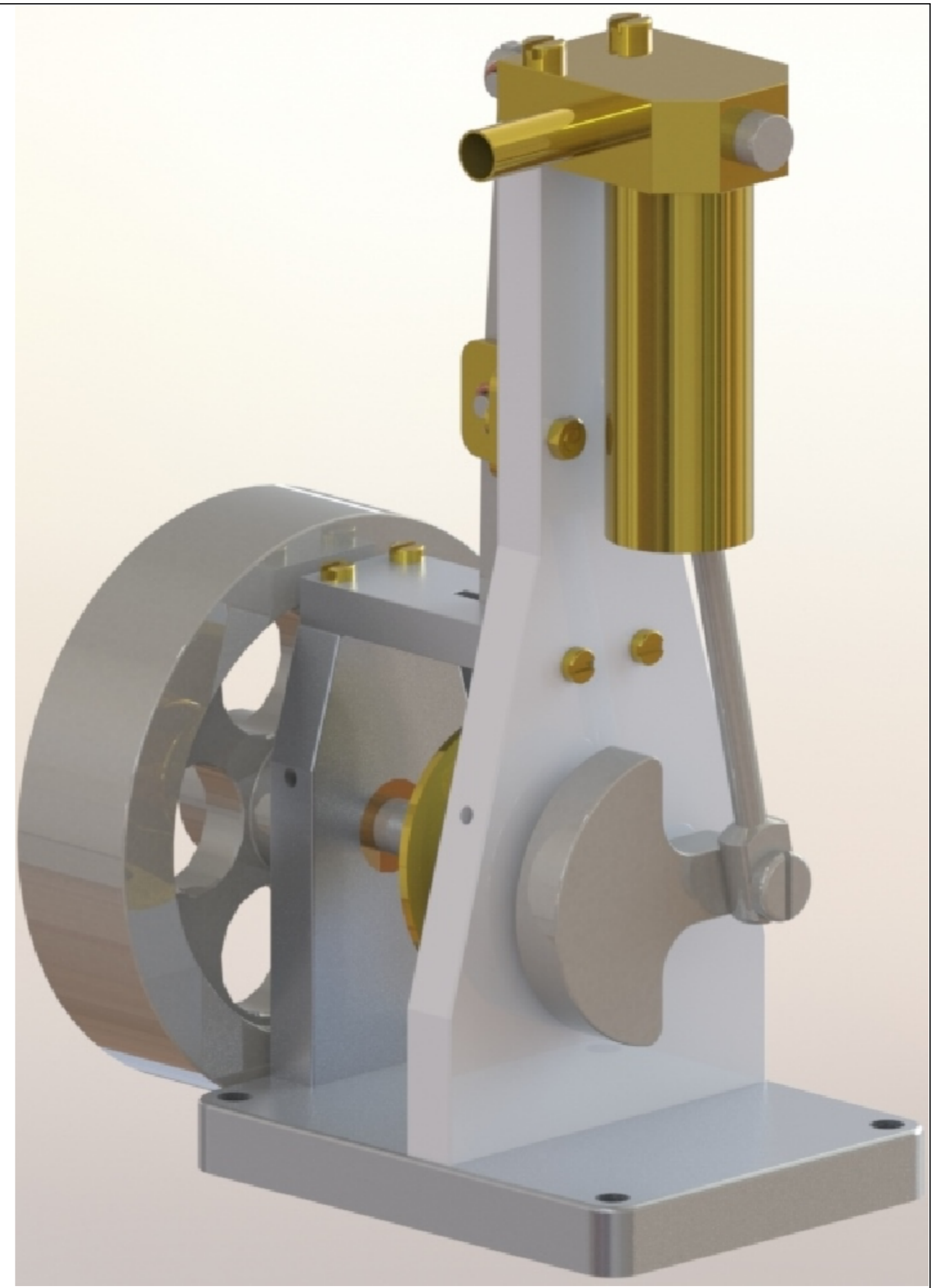
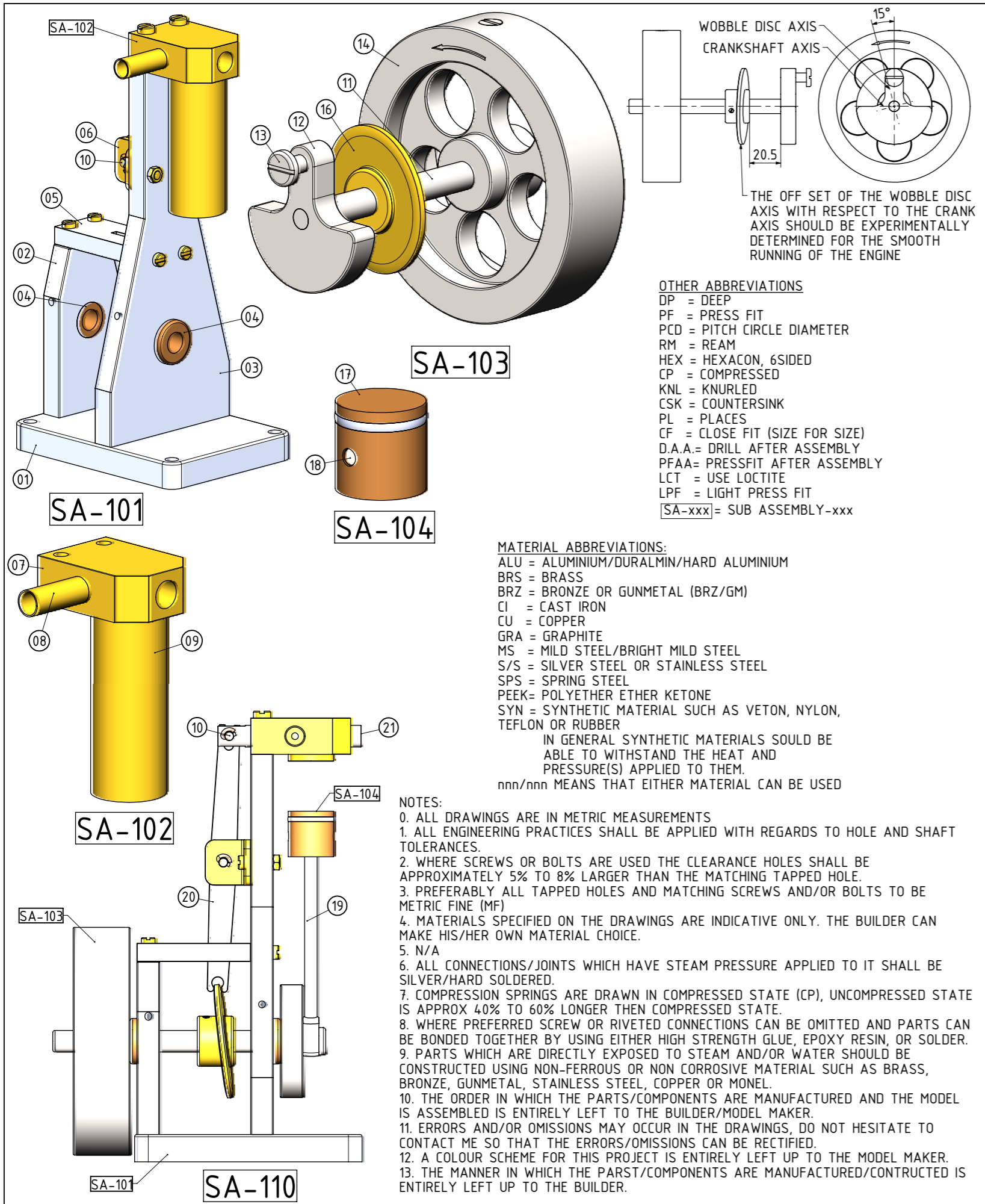
NOTES: THE ORIGINAL DRAWINGS AND ARTICLE OF THIS ENGINE WERE BY ELMER VERBURG AND PUBLISHED IN A BOOK AS CHAPTER 14. THE ORIGINAL DRAWINGS WERE POSTED ON: WWW.JOHN-TOM.COM (THIS ENGINE IS 2 TIMES LARGER THAN THE ORIGINAL)

TITLE  
**1 CYL. VERTICAL STEAM ENGINE WITH A VALVE WOBBLE PLATE**

DRAWING CONTENTS  
**G.A., ISOMETRIC VIEW, BOM, PARTS AND ASSEMBLIES**

PROJECT No 10-14-00  
**JDW DRAUGHTING SERVICES**  
 J.A.M. DE WAAL, 12 BRIGHTWELL STREET PAPAURA 2110, NEW ZEALAND. PHONE: 0064 09 2988815. MOB: 0211791000  
 E-MAIL: dewaal@xtra.co.nz.

PROJECTION **JDWDS**  
 DATE FEBRUARY-2016  
 SHEET: 01 OF 02  
 MODEL SCALE: 1:1  
 DWG SCALE: 1:1 @A3 OR AS SHOWN  
 Copyright © J.A.M. DE WAAL PAPAURA NZ  
**A3 No: EVG-P14-01**



NOTES: THE ORIGINAL DRAWINGS AND ARTICLE OF THIS ENGINE WERE BY ELMER VERBURG AND PUBLISHED IN A BOOK AS CHAPTER 14. THE ORIGINAL DRAWINGS WERE POSTED ON: WWW.JOHN-TOM.COM (THIS ENGINE IS 2 TIMES LARGER THAN THE ORIGINAL)		PROJECT No 10-14-00		PROJECTION		MODEL SCALE: 1:1	
TITLE <b>1 CYL. VERTICAL STEAM ENGINE WITH A VALVE WOBBLE PLATE</b>		DRAWING CONTENTS <b>PARTS AND ASSEMBLIES. RENDERED PICTURE</b>		JDW DRAUGHTING SERVICES		DATE FEBRUARY-2016	
		J.A.M. DE WAAL, 12 BRIGHTWELL STREET PAPA KURA 2110. NEW ZEALAND. PHONE: 0064 09 2988815. MOB: 0211791000 E-MAIL: dewaal@xtra.co.nz.		Copyright © J.A.M. DE WAAL PAPA KURA NZ		DWG SCALE: 1:1 @A3 OR AS SHOWN	
				SHEET: 02 OF 02		A3 No: EVG-P14-02	