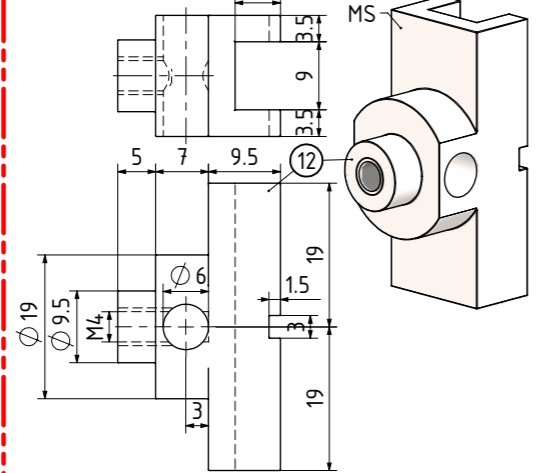


QTY.	PART NUMBER
1	EVG-P08-01-BASE PLATE
1	EVG-P08-02A-MAIN FRAME
1	EVG-P08-02B-MAIN FRAMECOVER PLATE
1	EVG-P08-03-CYLINDER
1	EVG-P08-04-CRANKSHAFT BEARING
1	EVG-P08-05-CRANK PLATE
1	EVG-P08-06-CRANKSHAFT
1	EVG-P08-07-FLYWHEEL
1	EVG-P08-08-PISTON ROD BRACKET
1	EVG-P08-09-PISTON ROD
1	EVG-P08-10-PISTON
1	EVG-P08-11-YOKE SLIDE BLOCK
1	EVG-P08-12-YOKE
2	EVG-P08-M3x9 C-SINK SCREW
2	EVG-P08-M3x15 PAN HEAD SCREW
1	EVG-P08-M4x7.5 GRUB SREW
2	EVG-P08-M4x16 C-SINK SCREW
4	EVG-P08-M4x18 PAN HEAD SCREW
1	EVG-P08-M6x28 GRUB SREW



NOTES:

- ALL DRAWINGS ARE IN METRIC MEASUREMENTS
- ALL ENGINEERING PRACTICES SHALL BE APPLIED WITH REGARDS TO HOLE AND SHAFT TOLERANCES.
- WHERE SCREWS OR BOLTS ARE USED THE CLEARANCE HOLES SHALL BE APPROXIMATELY 5% TO 8% LARGER THAN THE MATCHING TAPPED HOLE.
- PREFERABLY ALL TAPPED HOLES AND MATCHING SCREWS AND/OR BOLTS TO BE METRIC FINE (MF)
- MATERIALS SPECIFIED ON THE DRAWINGS ARE INDICATIVE ONLY. THE BUILDER CAN MAKE HIS/HER OWN MATERIAL CHOICE.
- N/A
- ALL CONNECTIONS/JOINTS WHICH HAVE STEAM PRESSURE APPLIED TO IT SHALL BE SILVER/HARD SOLDERED.
- COMPRESSION SPRINGS ARE DRAWN IN COMPRESSED STATE (CP), UNCOMPRESSED STATE IS APPROX 40% TO 60% LONGER THEN COMPRESSED STATE.
- WHERE PREFERRED SCREW OR RIVETED CONNECTIONS CAN BE OMITTED AND PARTS CAN BE BONDED TOGETHER BY USING EITHER HIGH STRENGTH GLUE, EPOXY RESIN, OR SOLDER.
- PARTS WHICH ARE DIRECTLY EXPOSED TO STEAM AND/OR WATER SHOULD BE CONSTRUCTED USING NON-FERROUS OR NON CORROSIVE MATERIAL SUCH AS BRASS, BRONZE, GUNMETAL, STAINLESS STEEL, COPPER OR MONEL.
- THE ORDER IN WHICH THE PARTS/COMPONENTS ARE MANUFACTURED AND THE MODEL IS ASSEMBLED IS ENTIRELY LEFT TO THE BUILDER/MODEL MAKER.
- ERRORS AND/OR OMISSIONS MAY OCCUR IN THE DRAWINGS, DO NOT HESITATE TO CONTACT ME SO THAT THE ERRORS/OMISSIONS CAN BE RECTIFIED.
- A COLOUR SCHEME FOR THIS PROJECT IS ENTIRELY LEFT UP TO THE MODEL MAKER.
- THE MANNER IN WHICH THE PARTS/COMPONENTS ARE MANUFACTURED IS ENTIRELY LEFT UP TO THE BUILDER.

OTHER ABBREVIATIONS

DP = DEEP
 PF = PRESS FIT
 PCD = PITCH CIRCLE DIAMETER
 RM = REAM
 HEX = HEXACON, 6SIDED
 CP = COMPRESSED
 KNL = KNURLED
 CSK = COUNTERSINK
 PL = PLACES
 CF = CLOSE FIT (SIZE FOR SIZE)
 D.A.A.= DRILL AFTER ASSEMBLY
 PFAA= PRESSFIT AFTER ASSEMBLY
 LCT = USE LOCTITE
 LPF = LIGHT PRESS FIT
 [SA-xxx]= SUB ASSEMBLY-xxx

MATERIAL ABBREVIATIONS:

ALU = ALUMINIUM OR DURAL(MIN)
 BRS = BRASS
 BRZ = BRONZE OR GUNMETAL (BRZ/GM)
 MS = MILD STEEL/BRIGHT MILD STEEL
 S/S = SILVER STEEL OR STAINLESS STEEL
 SPS = SPRING STEEL
 nnn/nnn MEANS THAT EITHER MATERIAL CAN BE USED

