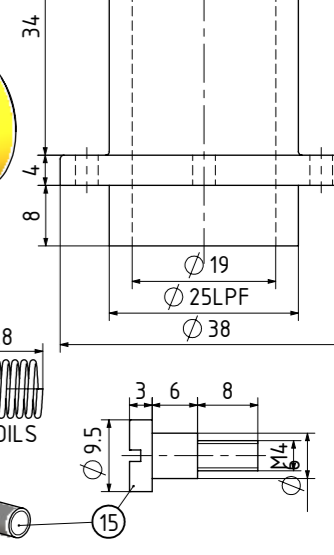
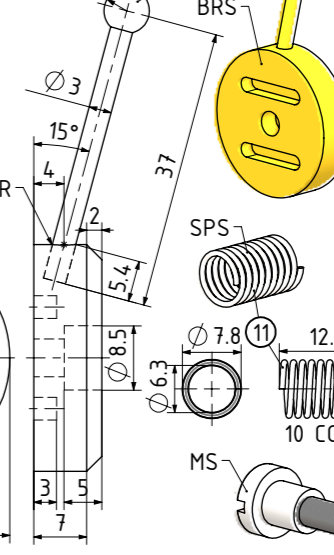
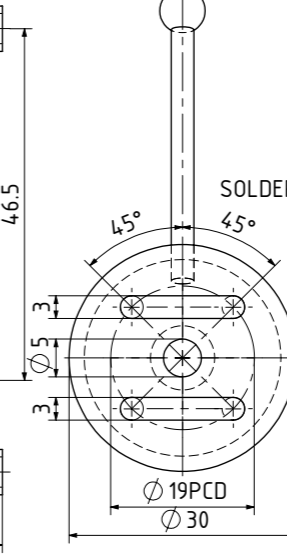
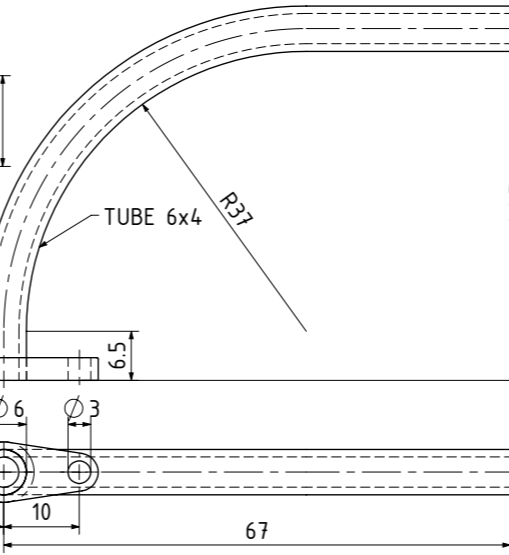
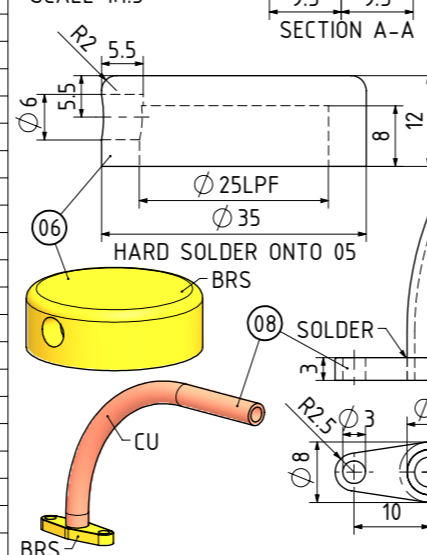
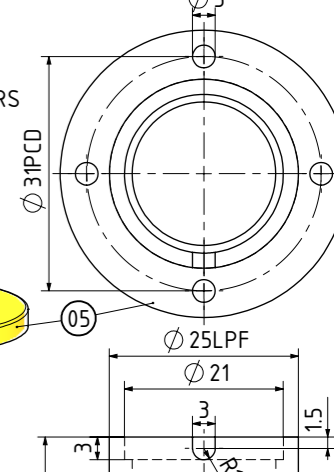
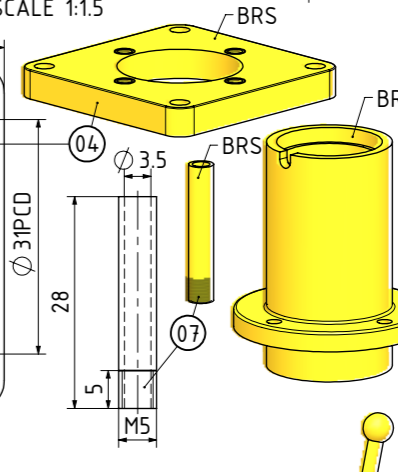
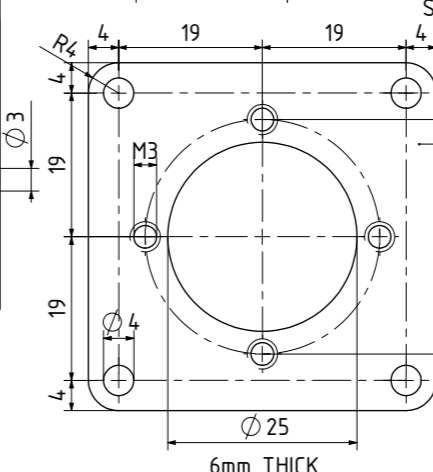
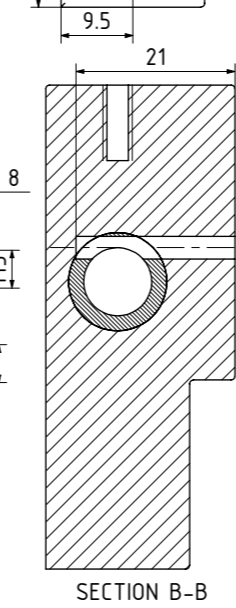
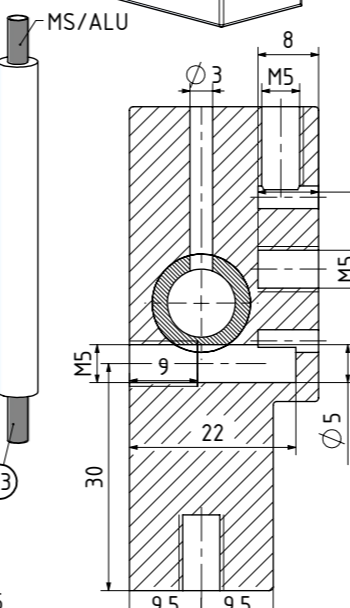
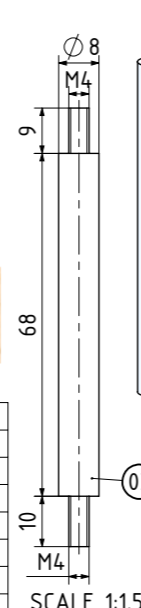


QTY.	PART NUMBER
1	EVG-P03-01-BASE PLATE
1	EVG-P03-02-MAIN BEARING FRAME
4	EVG-P03-03-PILLAR
1	EVG-P03-04-CYLINDER BASE PLATE
1	EVG-P03-05-CYLINDER
1	EVG-P03-06-CYLINDER TOP COVER
6	EVG-P03-M3x10 ROUND HEAD SCREW
1	EVG-P03-07-STEAM INLET CONNECTOR
1	EVG-P03-08-CYLINDER SUPPLY PIPE
1	EVG-P03-10-EV VALVE CENTER SCREW
1	EVG-P03-09-REVERSING VALVE
1	EVG-P03-11-CENTER SCREW SPRING
1	EVG-P03-18-WOOD BASE
4	EVG-P03-M4 DOME NUT
3	EVG-P032-M6x25 WOOD SCREW
1	EVG-P03-M5 WASHER
1	EVG-P03-M5 NUT
1	EVG-P03-12- CRANK SHAFT
1	EVG-P03-13-CRANK
1	EVG-P03-14- FLYWHEEL
1	EVG-P03-15-CRANK PIN
1	EVG-P03-M5x22 GRUB SREW
1	EVG-P03-M4x13 GRUB SREW
1	EVG-P03-16-PISTON
1	EVG-P03-17-CON-ROD
1	EVG-P03-18-PISTON PIN
2	EVG-P03-M5x20 C-SINK SCREW



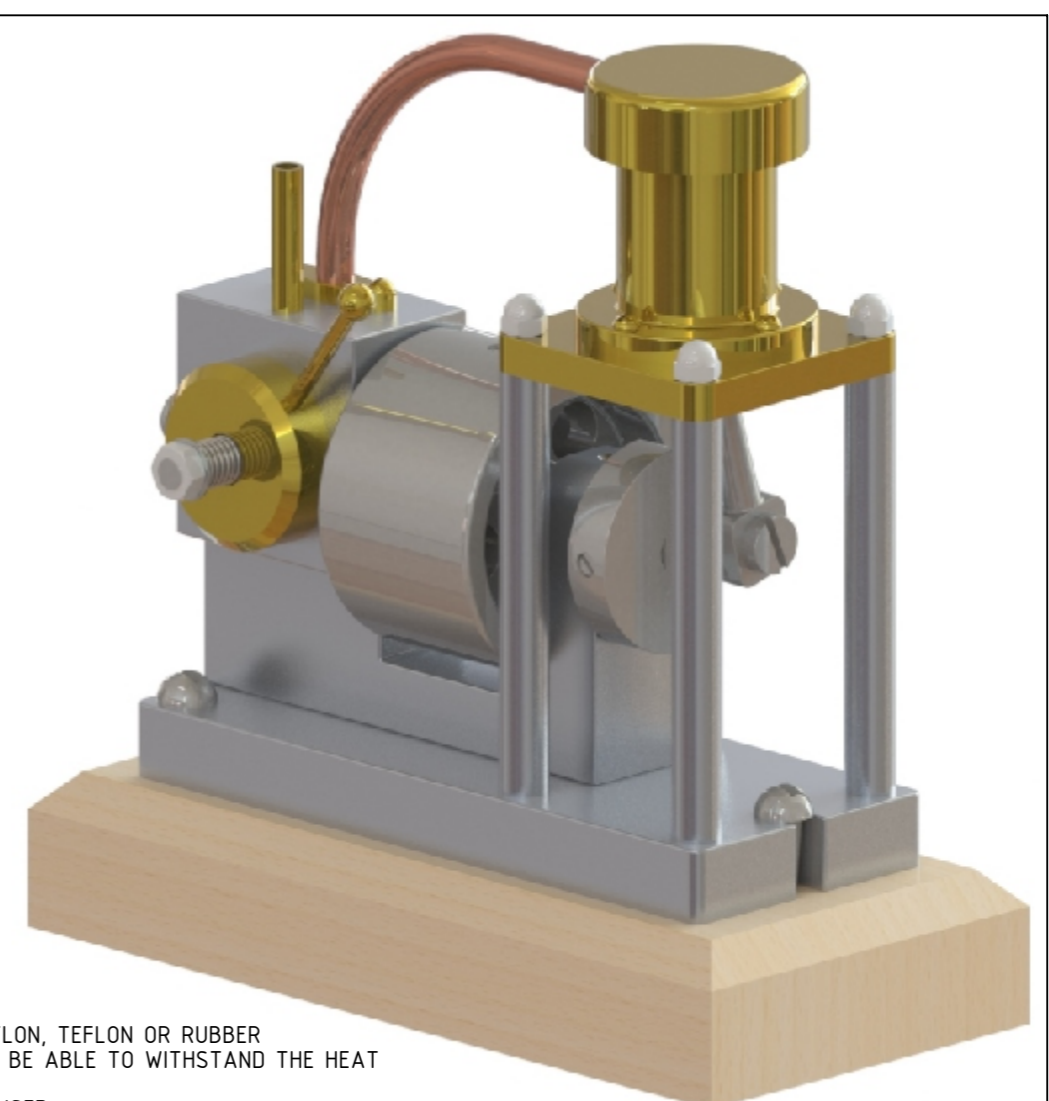
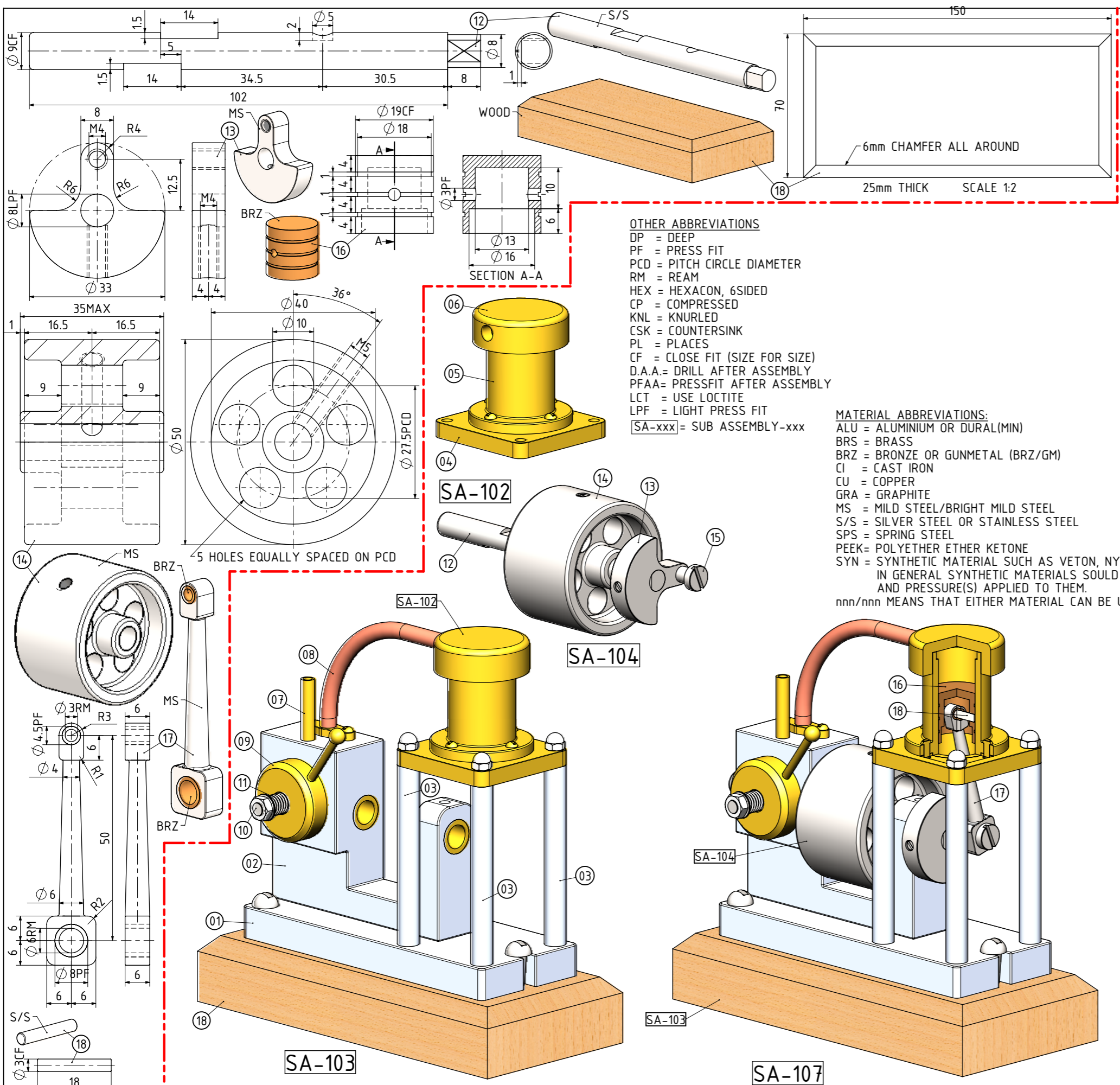
NOTES: THE ORIGINAL DRAWINGS AND ARTICLE OF THIS ENGINE WERE BY ELMER VERBURG AND PUBLISHED IN A BOOK AS CHAPTER 03. THE ORIGINAL DRAWINGS WERE POSTED ON: WWW.JOHN-TOM.COM (THIS ENGINE IS 2 TIMES LARGER THAN THE ORIGINAL)

TITLE
1 CYLINDER VERTICAL OPEN COLUMN STEAM ENGINE WITH REVERSER

DRAWING CONTENTS
G.A., ISOMETRIC VIEW, BOM, PARTS AND ASSEMBLIES

PROJECT No 10-03-00
JDW DRAUGHTING SERVICES
 J.A.M. DE WAAL, 12 BRIGHTWELL STREET PAPAURA 2110.
 NEW ZEALAND. PHONE: 0064 09 2988815. MOB: 0211791000
 E-MAIL: dewaal@xtra.co.nz.

PROJECTION
JDWDS
 DATE: JANUARY-2016
 SHEET: 01 OF 02
 MODEL SCALE: 1:1
 DWG SCALE: 1:1 @A3 OR AS SHOWN
 Copyright © J.A.M. DE WAAL PAPAURA NZ
A3 No: EVG-P03-01



NOTES: THE ORIGINAL DRAWINGS AND ARTICLE OF THIS ENGINE WERE BY ELMER VERBURG AND PUBLISHED IN A BOOK AS CHAPTER 03. THE ORIGINAL DRAWINGS WERE POSTED ON: WWW.JOHN-TOM.COM (THIS ENGINE IS 2 TIMES LARGER THAN THE ORIGINAL)

TITLE
1 CYLINDER VERTICAL OPEN COLUMN STEAM ENGINE WITH REVERSER

DRAWING CONTENTS
PARTS AND ASSEMBLIES

PROJECT No 10-03-00
 JDW DRAUGHTING SERVICES
 J.A.M. DE WAAL, 12 BRIGHTWELL STREET PAPAURA 2110.
 NEW ZEALAND. PHONE: 0664 09 2988815. MOB: 0211791000
 E-MAIL: dewaal@xtra.co.nz

PROJECTION
JDWDS
 DATE
 JANUARY-2016

MODEL SCALE: 1:1
 DWG SCALE: 1:1 @A3 OR AS SHOWN
 Copyright © J.A.M. DE WAAL PAPAURA NZ
 SHEET: 02 OF 02 **A3** No: EVG-P03-02