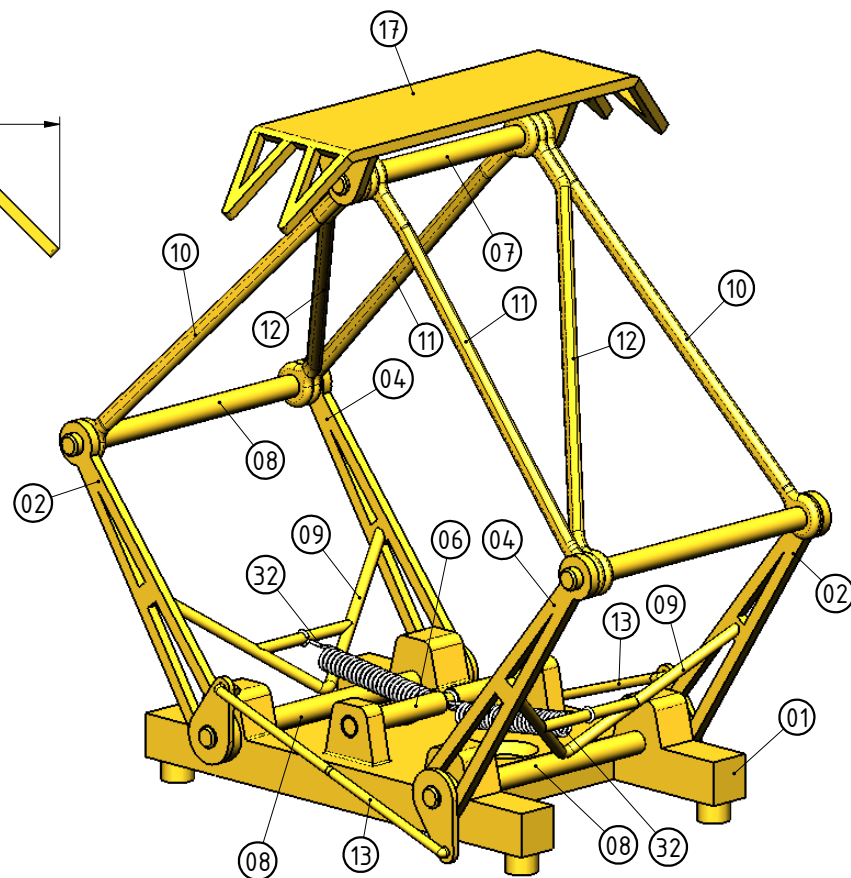


QTY	PART NUMBER	QTY.	PART NUMBER
4	13-RESTAINER	1	01-BASE
1	29-BASE ASSEMBLY	2	02-ARM TYPE-1 LEFT
2	30-ARM TYPE-1 ASSEMBLY	2	04-ARM TYPE-2 LEFT
2	32-SPRING ASSEMBLY	1	06-12mm SHAFT
1	33-COLLECTOR ASSEMBLY	1	07-14mm SHAFT
2	34-STAYS ASSEMBLY	4	08-16mm SHAFT
		2	09-BRACE
		2	10-STAY TYPE1 21x1
		2	11-STAY TYPE2 21x2
		2	12-STAY TYPE3 21x11
		4	13-RESTAINER
		2	14-SPRING
		2	15-SPRING END-1
		2	16-SPRING END-2
		1	17-COLLECTOR



NOTES: THIS PANTOGRAPH WAS DESIGNED BY Mr. ARENDS, THIS WAS ON A DRAWING WHICH CAME OUT AS AN EXTRA OF THE "HOBBY BULLETIN" OF NOVEMBER 1960

TITLE
PANTOGRAPH FOR AN ELC. LOC. SERIES 1100, 1200 & 1300 OF THE NS MODEL SCALE 1:45 TRACK GAUGE 32mm G.A AND B.O.M.

REV	DESCRIPTION	DATE
A	ISSUED FOR CONSTRUCTION	

JDW DRAUGHTING SERVICES
 12 BRIGHTWELL STREET
 PAKAPURA NEW ZEALAND
 TEL/FAX 0064-09-2988815
 E-MAIL:dewaal@xtra.co.nz

DRAWN BY
 J.A.M. DE WAAL

DATE
 MAY 2010

PROJECT No: 01-04-01-03-01

DRAWING NUMBER
1100PG

SCALE
 N.T.S or AS SHOWN

SHT OF SHT
01 of 02

SHEET
01

REV
A

