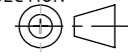


QTY.	PART NUMBER
4	01-WHEEL
2	02 WHEEL AXLE
2	03-SIDE FRAME
2	04-FRONT-REAR FRAME
2	05-BUFFER HOLDER
2	06-BUFFER
8	07-LEAF SPRING HOLDER
16	08-LEAF SPRING STRAP
4	09-LEAF SPRING
16	10-LEAF SPRING PIN
8	11-AXLE BOX GUIDE
4	12-AXLE BOX
8	13-BRAKE SHOE
8	14-BRAKE SHOE LEVER
8	15-BRAKE LEVER PIVOT BOLT
2	16-SIDE FRAME STEPS
1	17-FOOT PLATE
1	18-DRIVER CABINE
1	19-DRIVER CABINE ROOF
1	20-DRIVER CABINE HOOD-1
1	21-DRIVER CABINE HOOD-2
4	22-DRIVER CABINE HOOD HINGE
4	23-HANDLE
4	24-HANDRAIL SUPPORT-1
4	25-HANDRAIL SUPPORT-2
1	26-HORN
4	27-HEAD LAMP
2	28-RED SIGNAL LAMP
4	29-FRONT WINDOW
4	30-SIDE WINDOW
2	31-SIDE DOOR
2	32-SIDE DOOR WINDOW
2	33-POWER OUTLET
1	34-PANTOGRAPH BASE
2	35-PANTOGRAPH SIDE PART-1
2	36-PANTOGRAPH SIDE PART-2
4	37-PANTOGRAPH BOTTOM TIE-1
2	38-PANTOGRAPH CROSS STAY
2	39-PANTOGRAPH SPRING BAR
4	40-PANTOGRAPH SIDE STAY
2	41-PANTOGRAPH TRAVERSE STAY
1	42-PANTOGRAPH COLLECTOR
2	43-PANTOGRAPH SPINDLE
4	44-PANTOGRAPH TOP SPINDLE
2	45-PANTOGRAPH SPRING
1	46-CONTROL CABINETS
8	M4x10 CYLINDERHEAD SCREW
8	M4x4
16	M6 NUT
4	M6x10
14	M6x15
12	M8 NUT
1	RAILS
16	RIVET 4x12
8	RIVET 4x14
116	RIVET 5x12
48	RIVET 5x16
14	RIVET 6x12
8	RIVET 6x16
4	RIVET 6x22

TITLE
NARROW GAUGE ELECTRIC LOCO OF THE MIX NITZ-ST. ERHARD LOCAL RAILWAY
 SCALE 1:5.6 TRACK GAUGE 180mm (7") GENERAL ARRANGEMENT & PARTSLIST

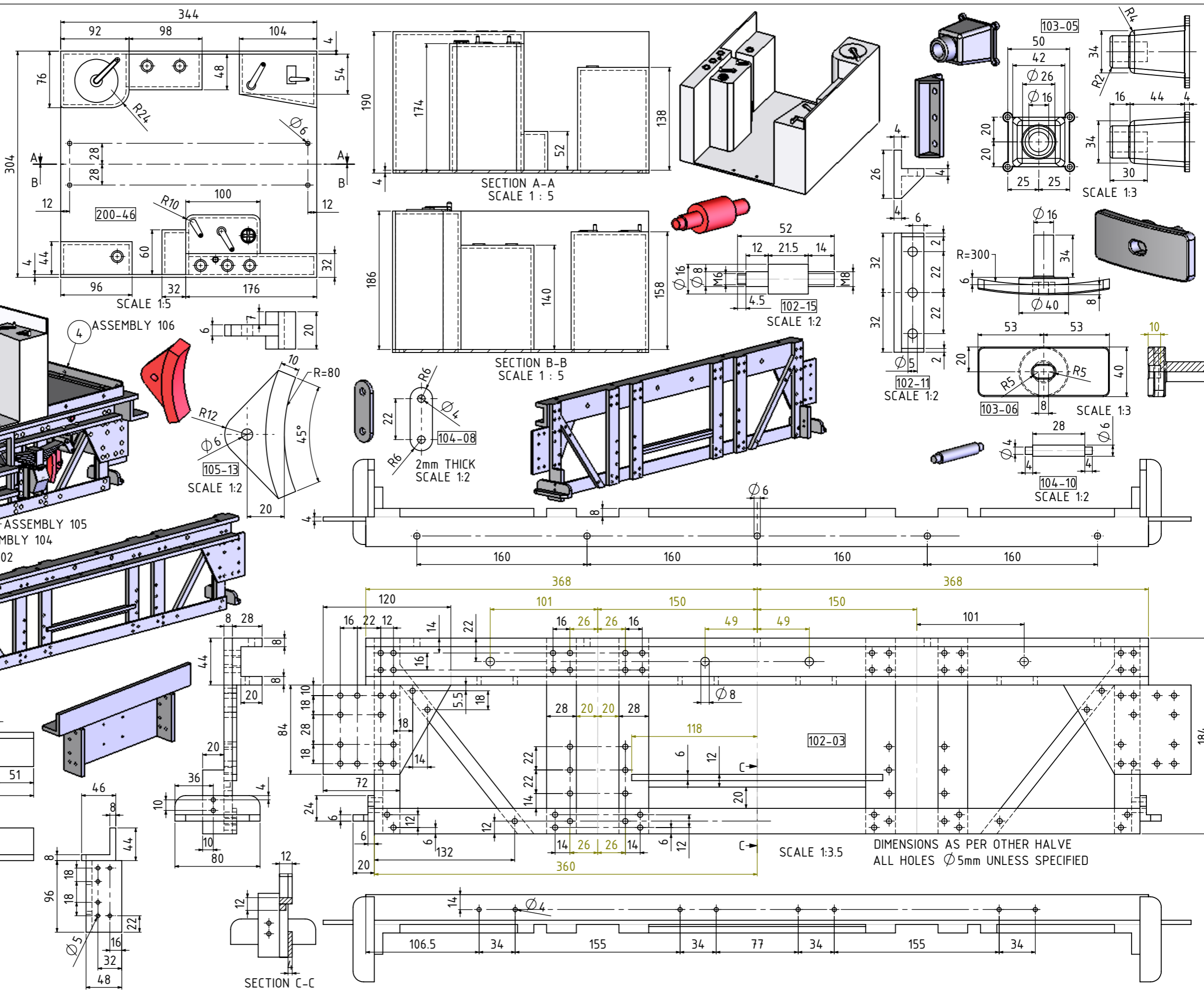
JDW DRAUGHTING SERVICES
 12 BRIGHTWELL STREET
 PAKAPURA NEW ZEALAND
 TEL/FAX 0064-09-2988815
 E-MAIL:dewaal@xtra.co.nz

DRAWN BY
J.A.M. DE WAAL
 DATE
 01-OCT-2006

PROJECTION

 SCALE
 AS SHOWN

DRAWING NUMBER
2030-0
 CAD FILE
 DO NOT SCALE OF DRAWING
 REMOVE ALL BURRS AND SHARP EDGES

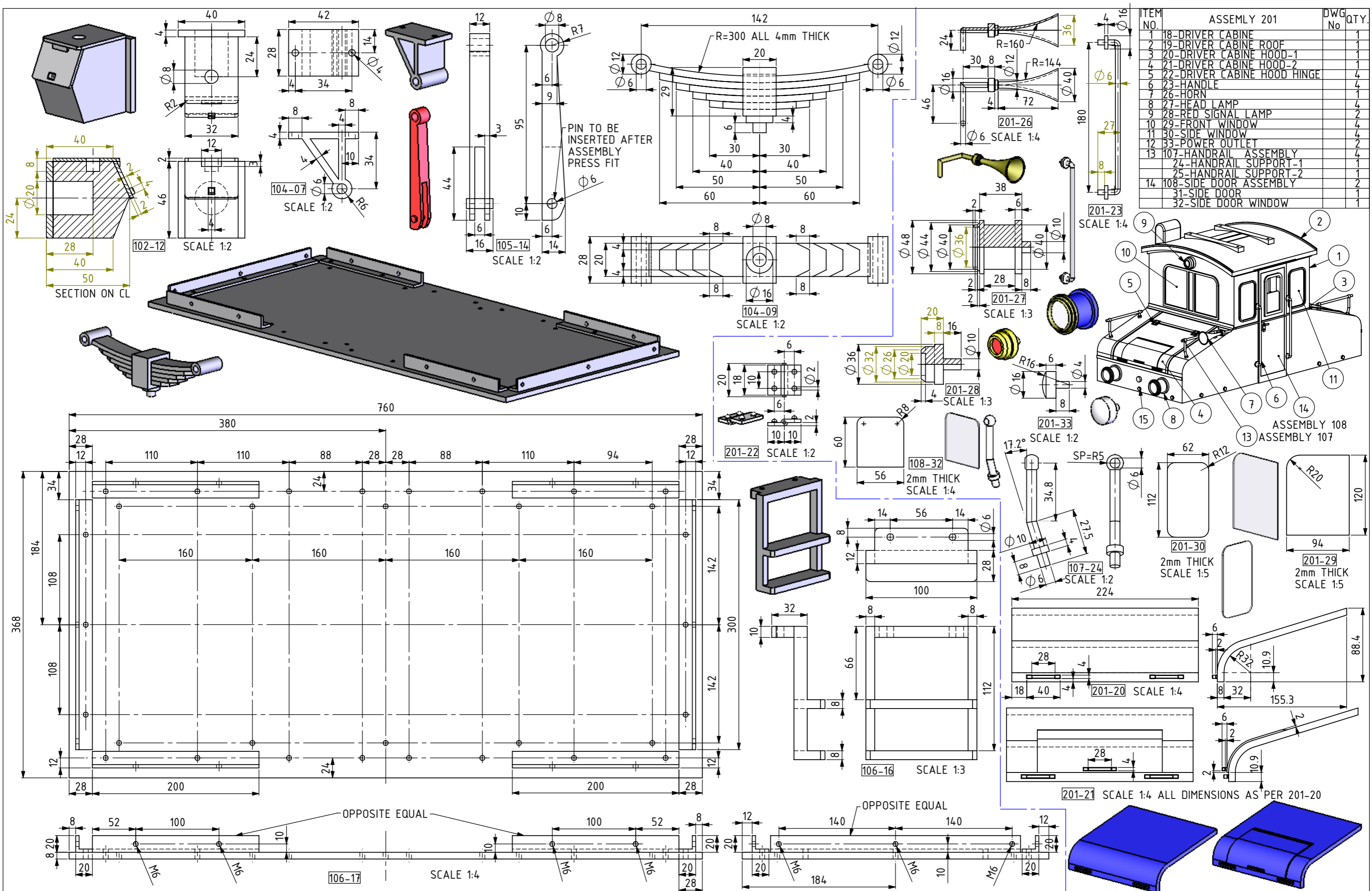
ITEM NO.	ASSEMBLY 200	DWG No	QTY.
1	46-CONTROL CABINETS		1
2	101-FRONT-REAR FRAME ASSEMBLY		2
	04-FRONT-REAR FRAME		1
	103-BUFFER ASSEMBLY		1
	05-BUFFER HOLDER		1
	06-BUFFER		1
3	102-SIDE FRAME ASSEMBLY		2
	03-SIDE FRAME		1
	11-AXLE BOX GUIDE		4
	12-AXLE BOX		2
	15-BRAKE LEVER PIVOT BOLT		4
	104-LEAF SPRING ASSEMBLY		2
	07-LEAF SPRING HOLDER		2
	08-LEAF SPRING STRAP		4
	09-LEAF SPRING		1
	10-LEAF SPRING PIN		4
	105-BRAKE ASSEMBLY		4
	13-BRAKE SHOE		1
	14-BRAKE SHOE LEVER		1
4	106-FOOT PLATE ASSEMBLY		1
	16-SIDE FRAME STEPS		2
	17-FOOT PLATE		1



FOR DIMENSIONS REFER OTHER SIDE

TITLE
NARROW GAUGE ELECTRIC LOCO OF THE MIX NITZ-ST. ERHARD LOCAL RAILWAY
 SCALE 1:5.6 TRACK GAUGE 180mm (7") PARTS AND ASSEMBLIES

JDW DRAUGHTING SERVICES 12 BRIGHTWELL STREET PAPAKURA NEW ZEALAND TEL/FAX 0064-09-2988815 E-MAIL:dewaal@xtra.co.nz	DRAWN BY J.A.M. DE WAAL DATE 01-OCT-2006	PROJECTION SCALE AS SHOWN	DRAWING NUMBER 2030-1 CAD FILE DO NOT SCALE OF DRAWING REMOVE ALL BURRS AND SHARP EDGES
--	---	-------------------------------------	--



ITEM NO.	ASSEMBLY 201	DWG No	QTY.
1	18-DRIVER CABINE		1
2	19-DRIVER CABINE ROOF		1
3	20-DRIVER CABINE HOOD-1		1
4	21-DRIVER CABINE HOOD-2		1
5	22-DRIVER CABINE HOOD HINGE		4
6	23-HANDLE		4
7	26-HORN		1
8	27-HEAD LAMP		4
9	28-RED SIGNAL LAMP		2
10	29-FRONT WINDOW		4
11	30-SIDE WINDOW		4
12	33-POWER OUTLET		2
13	107-HANDRAIL ASSEMBLY		4
14	24-HANDRAIL SUPPORT-1		1
	25-HANDRAIL SUPPORT-2		1
14	108-SIDE DOOR ASSEMBLY		2
	31-SIDE DOOR		1
	32-SIDE DOOR WINDOW		1

TITLE
NARROW GAUGE ELECTRIC LOCO OF THE MIX NITZ-ST. ERHARD LOCAL RAILWAY
 SCALE 1:5.6 TRACK GAUGE 180mm (7") PARTS AND ASSEMBLIES

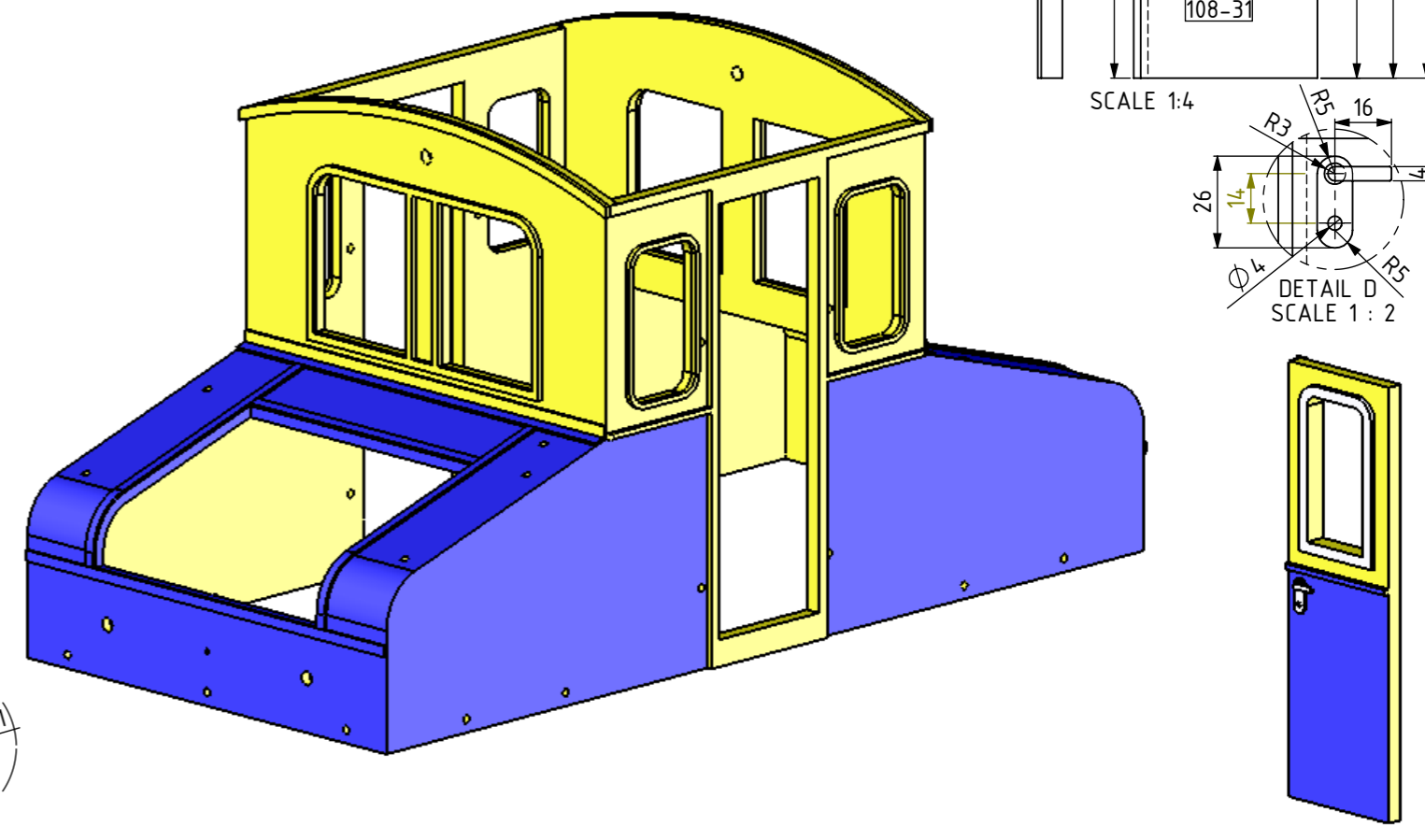
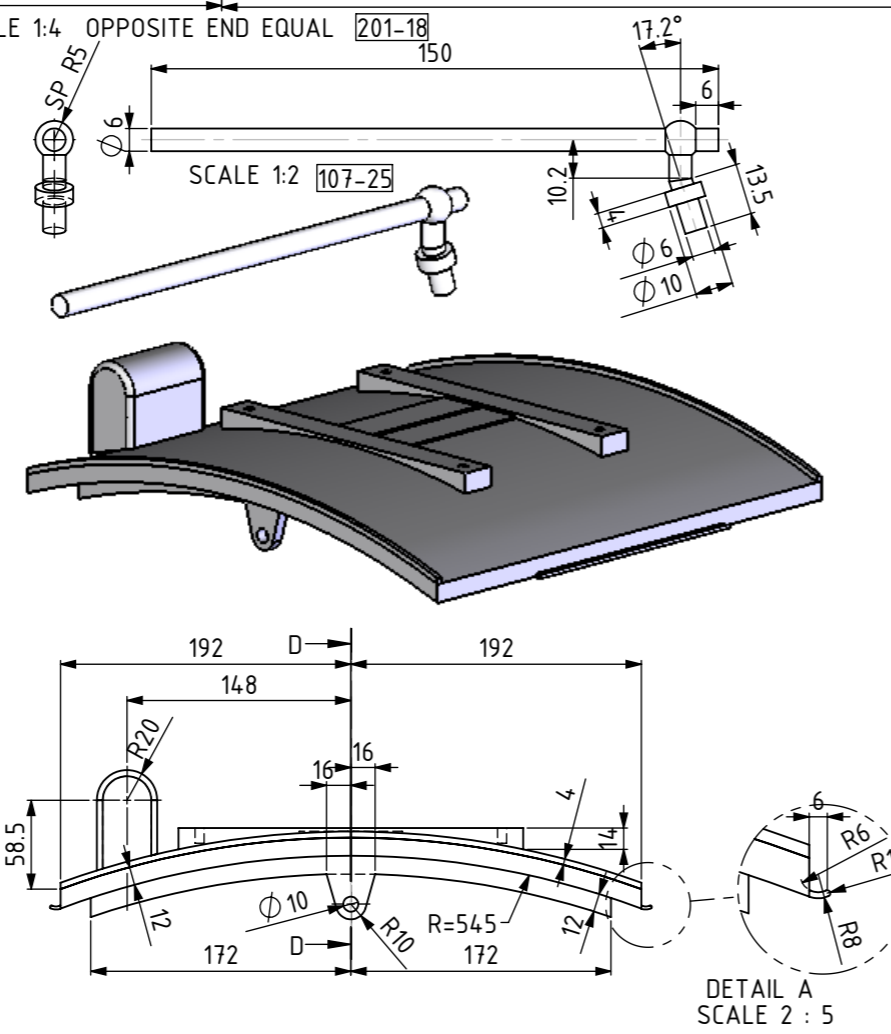
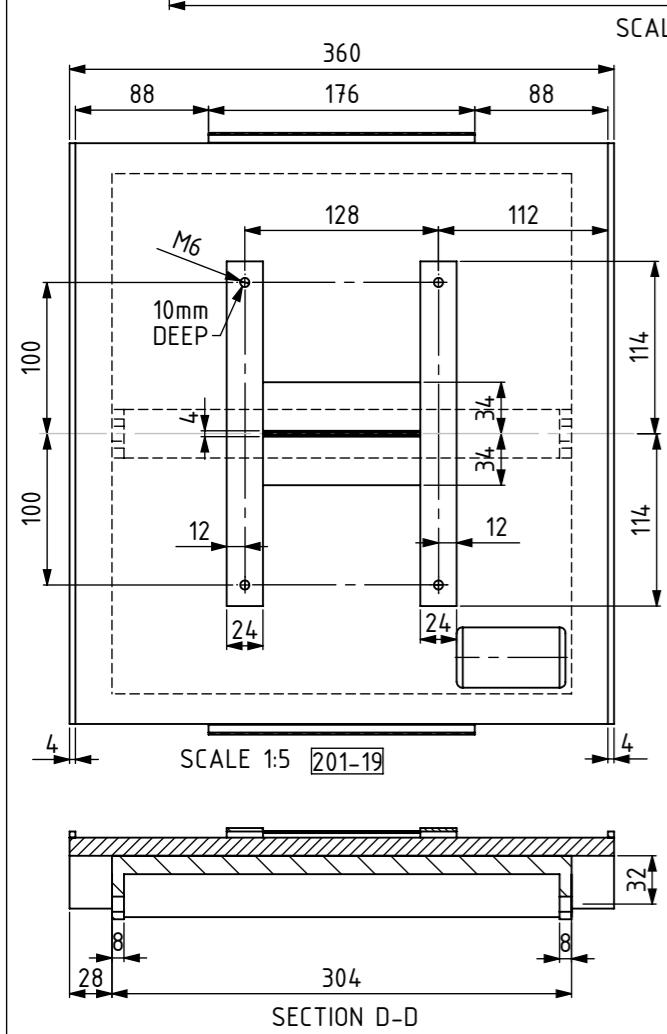
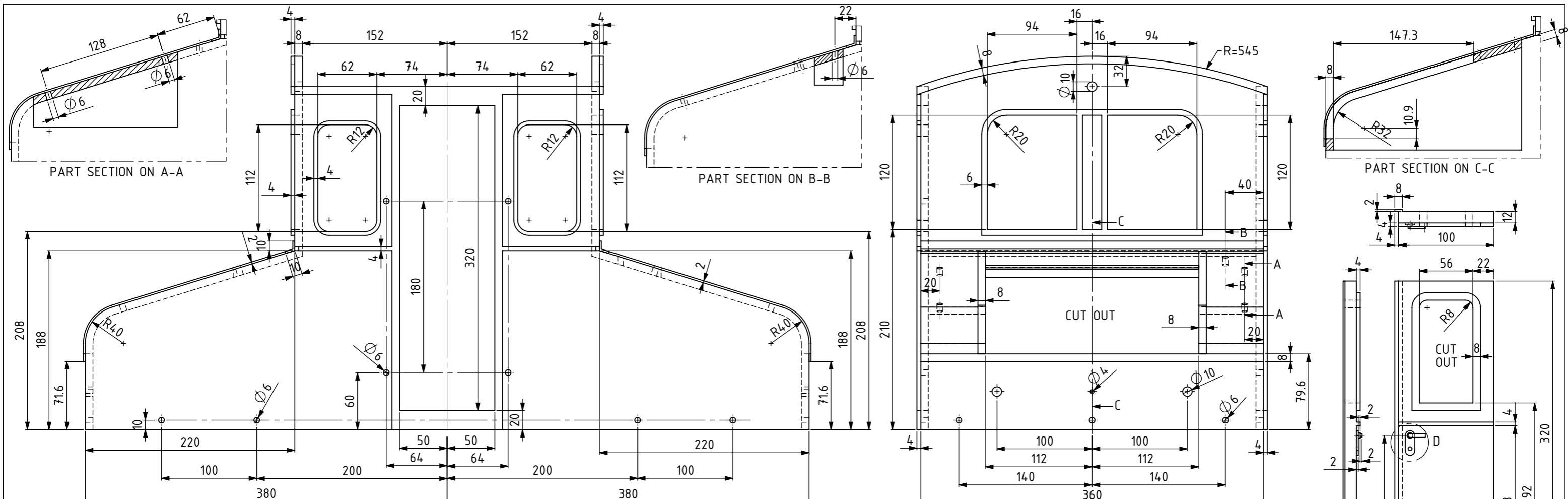
JDW DRAUGHTING SERVICES
 12 BRIGHTWELL STREET
 PAPAURA NEW ZEALAND
 TEL/FAX 0064-09-2988815
 E-MAIL: dewaal@xtra.co.nz

DRAWN BY
J.A.M. DE WAAL
 DATE
 01-OCT-2006

PROJECTION

 SCALE
 AS SHOWN

DRAWING NUMBER
2030-2
 CAD FILE
 DO NOT SCALE OF DRAWING
 REMOVE ALL BURRS AND SHARP EDGES



TITLE

NARROW GAUGE ELECTRIC LOCO OF THE MIX NITZ-ST. ERHARD LOCAL RAILWAY

SCALE 1:5.6 TRACK GAUGE 180mm (7") PARTS AND ASSEMBLIES

JDW DRAUGHTING SERVICES 12 BRIGHTWELL STREET PAPAURA NEW ZEALAND TEL/FAX 0064-09-2988815 E-MAIL: dewaal@xtra.co.nz	DRAWN BY J.A.M. DE WAAL	PROJECTION 	DRAWING NUMBER 2030-3
	DATE 01-OCT-2006		SCALE AS SHOWN

