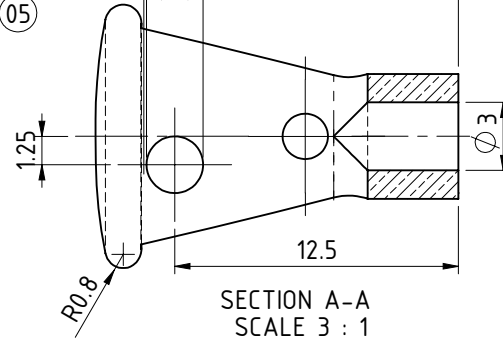
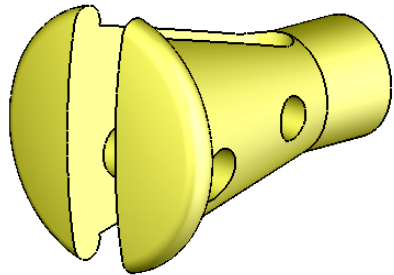
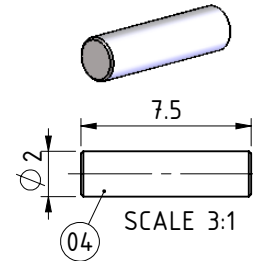
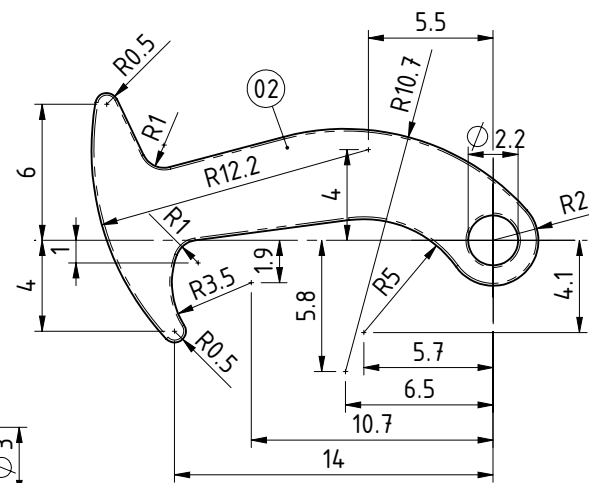
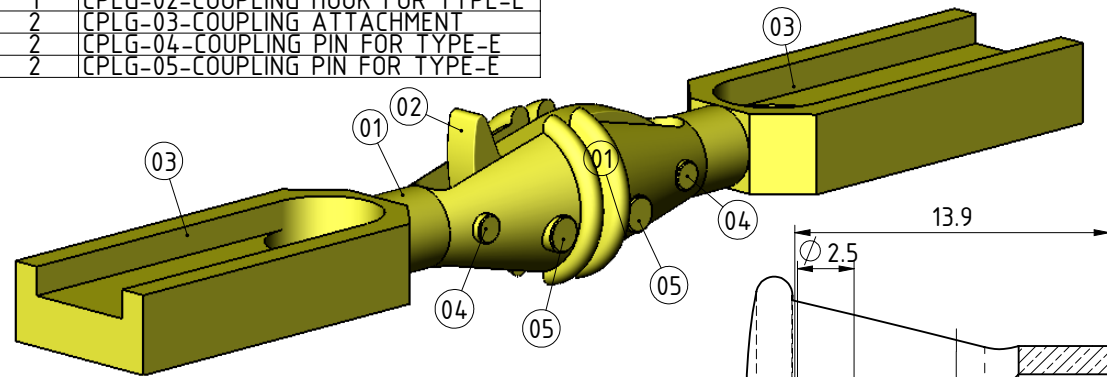
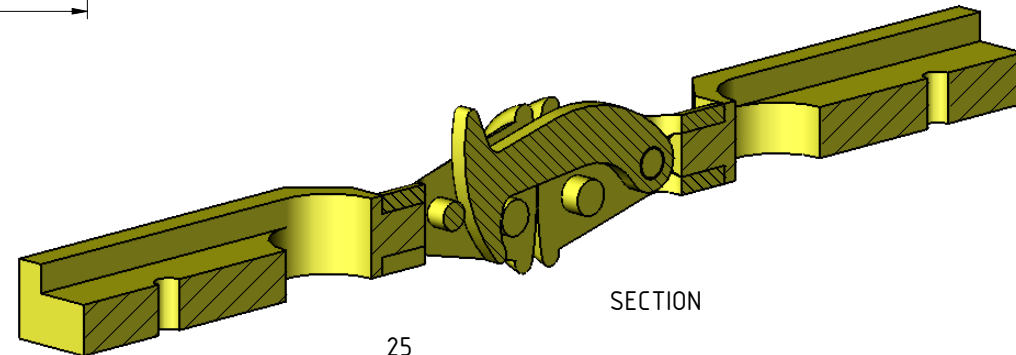
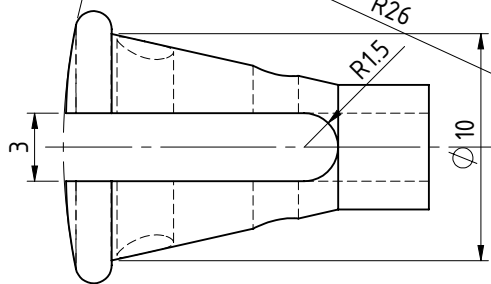


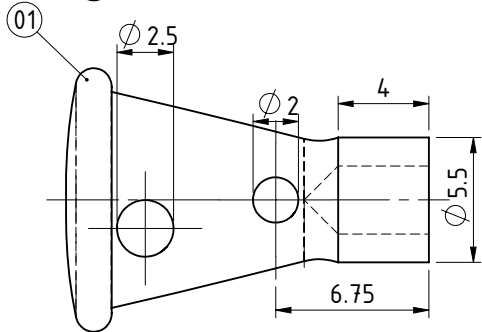
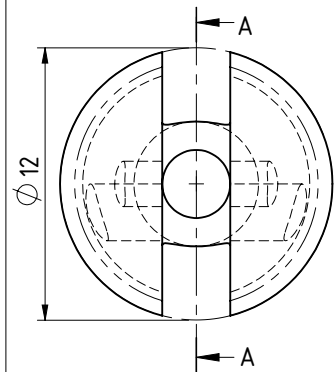
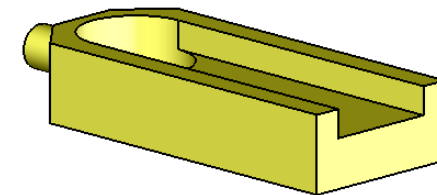
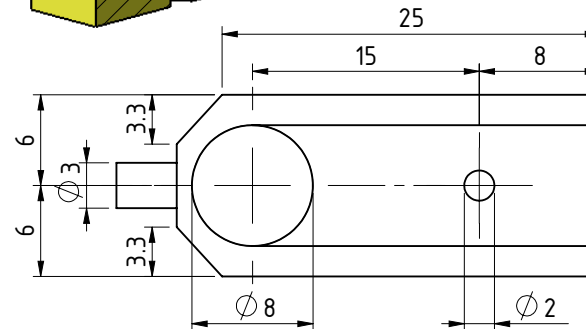
QTY.	PART NUMBER
2	CPLG-01-COUPLING HOUSE TYPE-E
1	CPLG-02-COUPLING HOOK FOR TYPE-E
2	CPLG-03-COUPLING ATTACHMENT
2	CPLG-04-COUPLING PIN FOR TYPE-E
2	CPLG-05-COUPLING PIN FOR TYPE-E



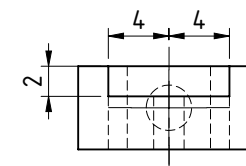
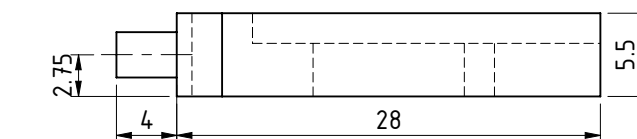
SECTION A-A
SCALE 3 : 1



SECTION



SCALE 3:1



NOTES:

TITLE
A4 COUPLING FOR LGB SCALE TRAINS BASED ON NZ RAILWAYS
GENERAL ARRANGEMENT, SECTION, PARTS & BOM

A	REV	ISSUED FOR CONSTRUCTION	DESCRIPTION	DATE

JDW DRAUGHTING SERVICES
12 BRIGHTWELL STREET
PAPAURA NEW ZEALAND
TEL/FAX 0064-09-2988815
E-MAIL: dewaal@xtra.co.nz

DRAWN BY
J.A.M. DE WAAL

DATE
AUGUST 2010

PROJECT No:	01-04-01-02-04
DRAWING NUMBER	CPLNG-E
SHEET	1
SCALE	1:1 or AS SHOWN
SHT OF SHT	1 of 1
REV	A