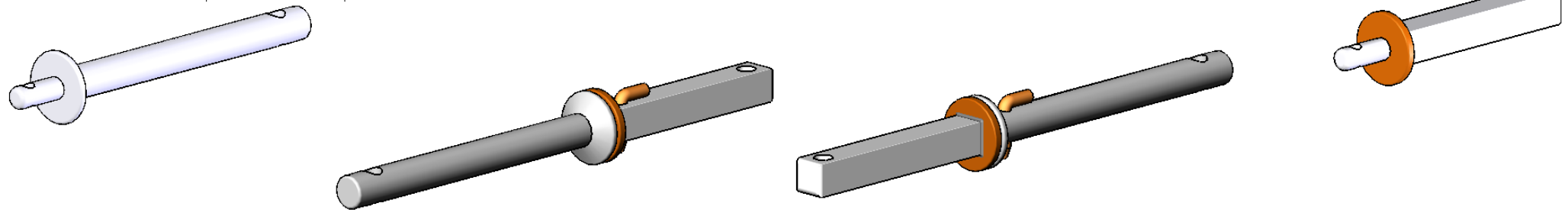
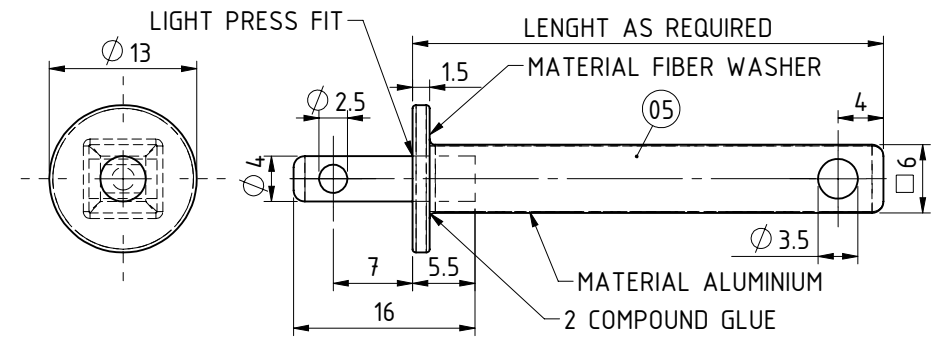
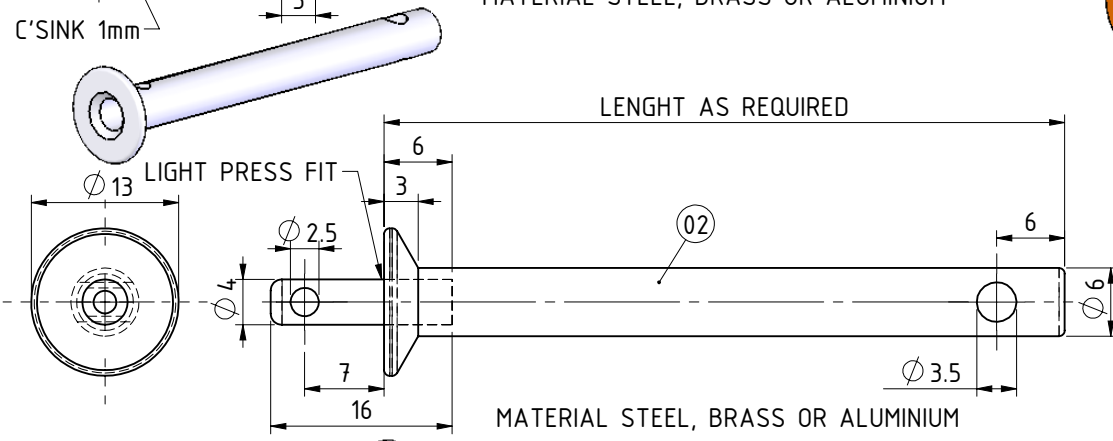
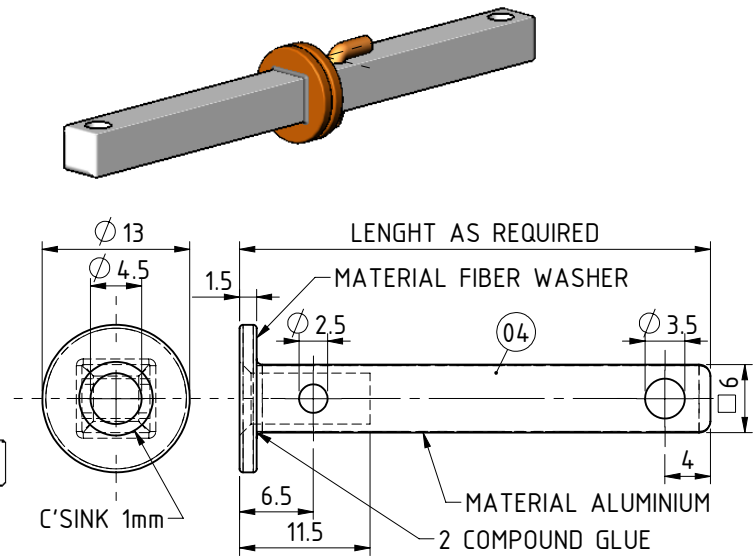
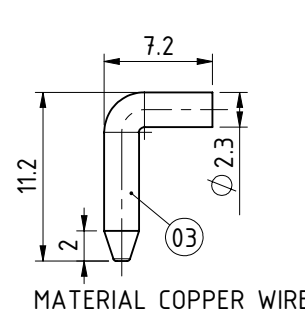
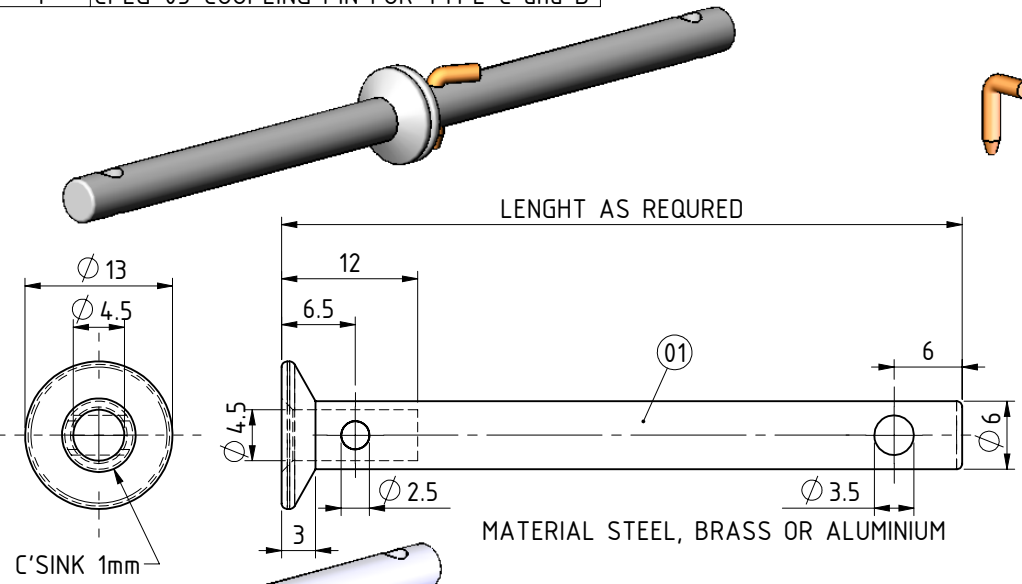


QTY.	PART NUMBER
1	CPLG-01-COUPLING HOUSE (HOLE) TYPE-C
1	CPLG-02-COUPLING HOUSE (PIN) TYPE-C
1	CPLG-03-COUPLING PIN FOR TYPE-C and D

QTY.	PART NUMBER
1	CPLG-03-COUPLING PIN FOR TYPE-C and D
1	CPLG-04-SQUARE COUPLING HOUSE (HOLE) TYPE-D
1	CPLG-05-SQUARE COUPLING HOUSE (PIN) TYPE-D



NOTES:

TITLE	DATE	REV	DESCRIPTION	DATE
A4	AUGUST 2010	A	ISSUED FOR CONSTRUCTION	
		REV	DESCRIPTION	DATE

JDW DRAUGHTING SERVICES 12 BRIGHTWELL STREET PAPAURA NEW ZEALAND TEL/FAX 0064-09-2988815 E-MAIL:dewaal@xtra.co.nz

DRAWN BY J.A.M. DE WAAL

DATE AUGUST 2010

PROJECT No:	01-04-01-02-03
-------------	----------------

PROJECTION	DRAWING NUMBER	SHEET
SCALE NTS or AS SHOWN	CPL-D-C	1
SHT OF SHT	1 of 1	REV A