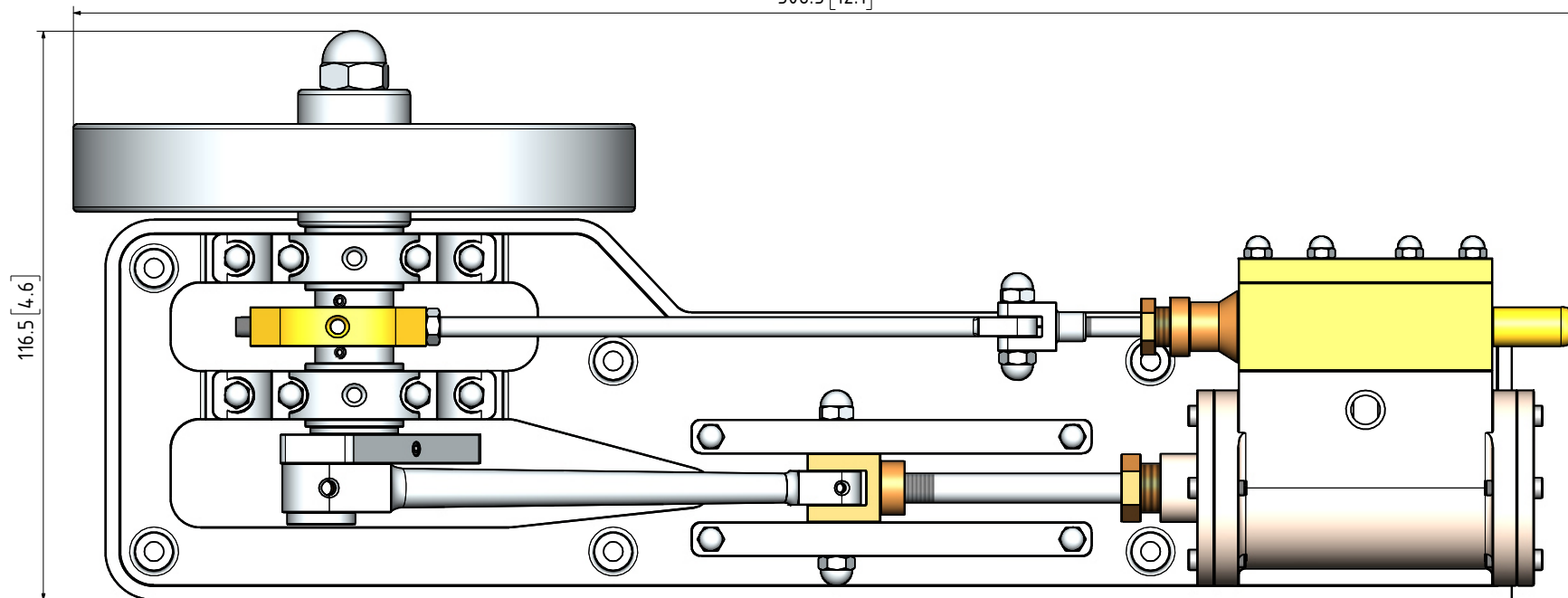


MATERIAL ABBREVIATIONS:

ALU = ALUMINIUM
 HALU= HARD ALUMINIUM
 BRS = BRASS
 BRZ = BRONZE OR GUNMETAL (BRZ/GM)
 CI = CAST IRON
 CU = COPPER
 GRA = GRAPHITE
 MS = MILD STEEL/BRIGHT MILD STEEL
 SS = SILVER STEEL OR STAINLESS STEEL
 SPS = SPRING STEEL
 PEEK= POLYETHER ETHER KETONE
 SYN = SYNTHETIC MATERIAL SUCH AS VETON, NYLON, TEFLON OR RUBBER
 IN GENERAL SYNTHETIC MATERIALS SHOULD BE ABLE TO WITHSTAND THE HEAT AND PRESSURE(S) APPLIED TO THEM.
 nnn/nnn MEANS THAT EITHER MATERIAL CAN BE USED

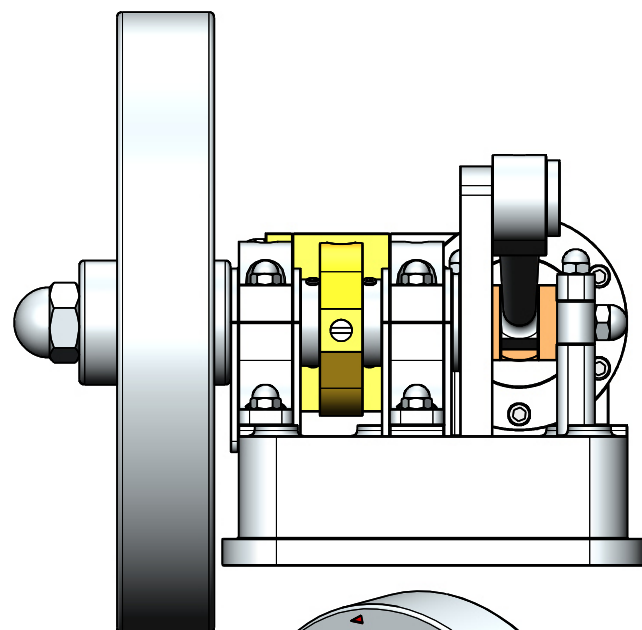
308.5 [12.1]



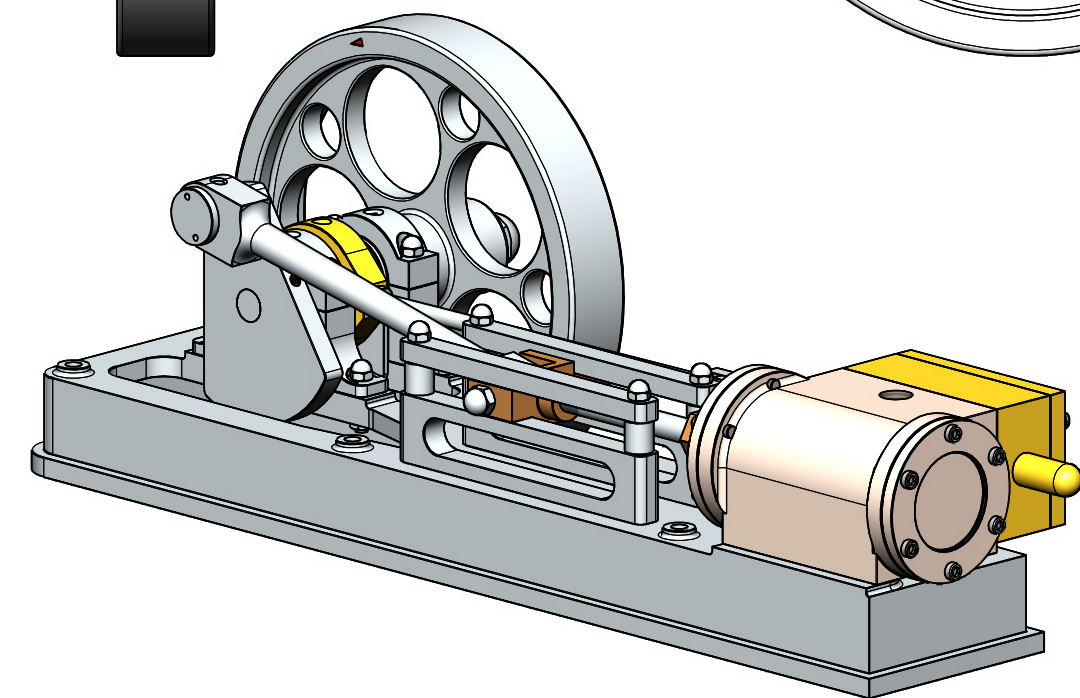
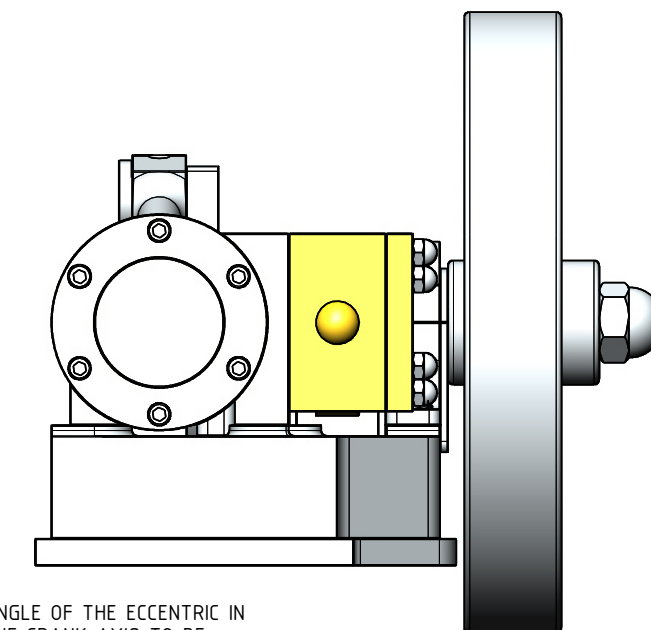
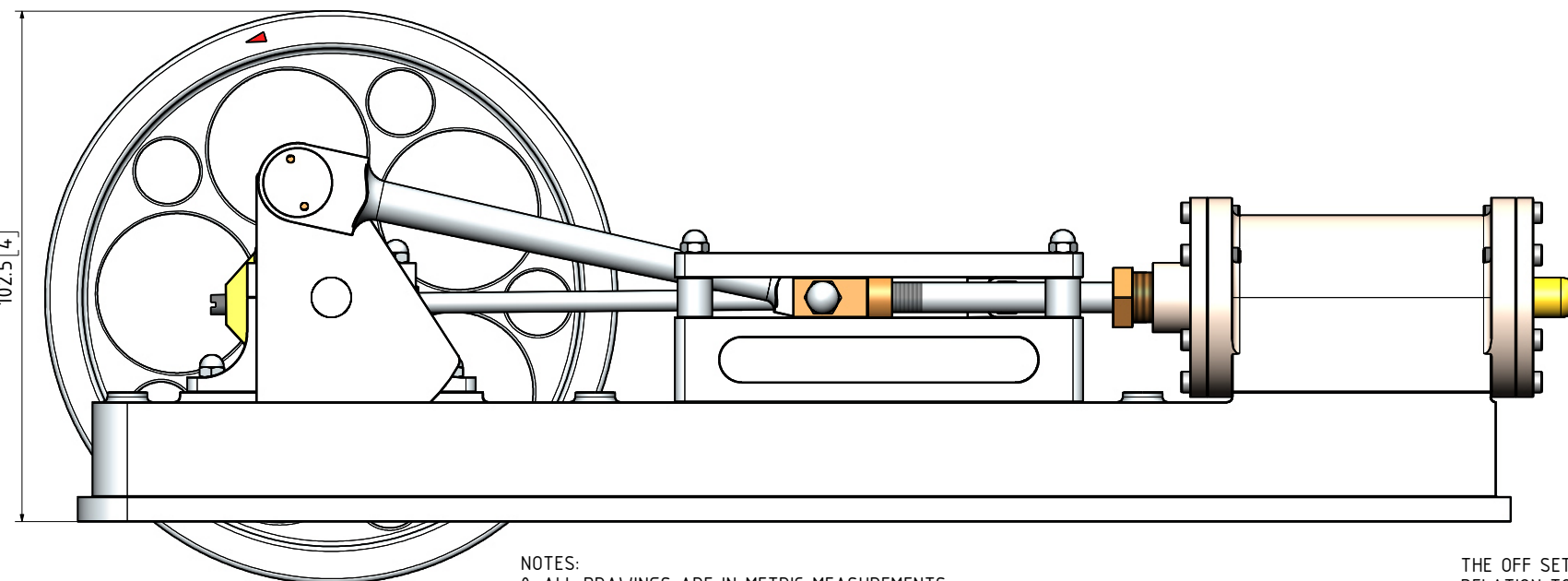
OTHER ABBREVIATIONS

AS = AS SHOWN
 DP = DEEP
 DAA= DRILL AFTER ASSEMBLY
 D&TAA= DRILL AND TAP AFTER ASSEMBLY
 CF = CLOSE FIT (SIZE FOR SIZE)
 PF = PRESS FIT
 PFAA= PRESS FIT AFTER ASSEMBLY
 PCD = PITCH CIRCLE DIAMETER
 RM = REAM
 HEX = HEXACON, 6SIDED
 CP = COMPRESSED
 KNL = KNURLED
 CSK = COUNTERSINK
 PL = PLACES
 DWL= DOWEL
 SPF= SPOTFACE
 (T)HESOP=(TAPPED)HOLES EQUALLY SPACED ON PCD
 (T)HESOC=(TAPPED)HOLES EQUALLY SPACED ON CIRCUMFERENCE
 OD = OUTSIDE DIAMETER
 ID = INSIDE DIAMETER
 [SA-xxx]= SUB ASSEMBLY-xxx

116.5 [4.6]



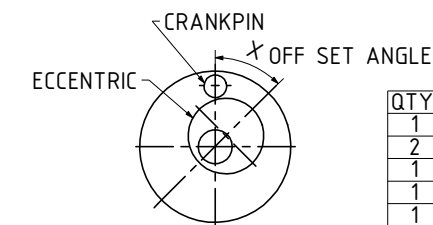
102.5 [4]



NOTES:

0. ALL DRAWINGS ARE IN METRIC MEASUREMENTS
1. ALL ENGINEERING PRACTICES SHALL BE APPLIED WITH REGARDS TO HOLE AND SHAFT TOLERANCES.
2. WHERE SCREWS OR BOLTS ARE USED THE CLEARANCE HOLES SHALL BE APPROXIMATELY 5% TO 8% LARGER THAN THE MATCHING TAPPED HOLE.
3. PREFERABLY ALL TAPPED HOLES AND MATCHING SCREWS AND/OR BOLTS TO BE METRIC FINE (MF)
4. MATERIALS SPECIFIED ON THE DRAWINGS ARE INDICATIVE ONLY. THE BUILDER CAN MAKE HIS/HER OWN MATERIAL CHOICE.
5. ALL CONNECTIONS/JOINTS WHICH HAVE STEAM PRESSURE APPLIED TO IT SHALL BE SILVER/HARD SOLDERED.
6. COMPRESSION SPRINGS ARE DRAWN IN COMPRESSED STATE (CP), UNCOMPRESSED STATE IS APPROX 40% TO 60% LONGER THEN COMPRESSED STATE.
7. WHERE PREFERRED SCREW OR RIVETED CONNECTIONS CAN BE OMITTED AND PARTS CAN BE BONDED TOGETHER BY USING EITHER HIGH STRENGTH GLUE, EPOXY RESIN, OR SOLDER.
8. PARTS WHICH ARE DIRECTLY EXPOSED TO STEAM AND/OR WATER SHOULD BE CONSTRUCTED USING NON-FERROUS OR NON CORROSIVE MATERIAL SUCH AS BRASS, BRONZE, GUNMETAL, STAINLESS STEEL, COPPER OR MONEL.
9. THE ORDER IN WHICH THE PARTS/COMPONENTS ARE MANUFACTURED AND THE MODEL IS ASSEMBLED IS ENTIRELY LEFT TO THE BUILDER/MODEL MAKER.
10. A COLOUR SCHEME FOR THIS PROJECT IS ENTIRELY LEFT UP TO THE MODEL MAKER.
11. THE MANNER IN WHICH THE PARTS/COMPONENTS ARE MANUFACTURED IS ENTIRELY LEFT UP TO THE BUILDER.
12. USE LOCTITE, ON SCREW OR PRESS FIT CONNECTIONS OR SURFACES, WERE DEEMED NECESSARY TO PREVENT PARTS FROM LOOSENING.
13. WASHERS AND/OR SPRINGWASHERS SHALL BE USED WHERE DEEMED NECESSARY.
- XX. ERRORS AND/OR OMISSIONS MAY OCCUR IN THE DRAWINGS, DO NOT HESITATE TO CONTACT ME SO THAT THE ERRORS/OMISSIONS CAN BE RECTIFIED.

THE OFF SET ANGLE OF THE ECCENTRIC IN RELATION TO THE CRANK AXIS TO BE EXPERIMENTALLY DETERMINED FOR THE SMOOTH RUNNING OF THE ENGINE AND SATISFACTION OF THE BUILDER



QTY.	PART NUMBER
1	09B-29-00-1-01-BED PLATE
2	09B-29-00-1-02-CRANK SHAFT BEARING BLOCK
1	09B-29-00-1-03-CYLINDER+VALVE CHEST
1	09B-29-00-1-04-CYLINDER REAR COVER
1	09B-29-00-1-05-CYLINDER FRONT COVER
1	09B-29-00-2-01-CRANK SHAFT+FLYWHEEL
1	09B-29-00-2-02-PISTON+CROSSHEAD
1	09B-29-00-2-03-CON-ROD
1	09B-29-00-2-04-SLIDE VALVE
1	09B-29-00-2-05-ECCENTRIC SHEAVE
1	09B-29-00-2-06-ECCENTRIC STRAP
4	09B-29-00-M2.5x3.5 A-K GRUB SCREW
20	09B-29-00-M3 DOME NUT
6	09B-29-00-M3 NUT
12	09B-29-00-M3x10 A-K CYL HEAD SCREW
1	09B-29-00-M3x11 A-K GRUB SCREW
4	09B-29-00-M4 DOME NUT
1	09B-29-00-M4 NUT
3	09B-29-00-M4x14 A-K CYL HEAD SCREW
1	09B-29-00-M8 DOME NUT

NOTES: THE ORIGINAL DRWINGS WERE GIVEN TO ME. THE ORIGINAL DRAWINGS WERE PUBLISHED IN THE "MODEL ENGINEER" MAGAZINE OF 1992, ARTICLES WRITTEN BY TUBAL CAIN. ENGINE SHOWN ON THESE DRAWINGS IS 1.5 TIMES LARGER THEN ORIGINAL

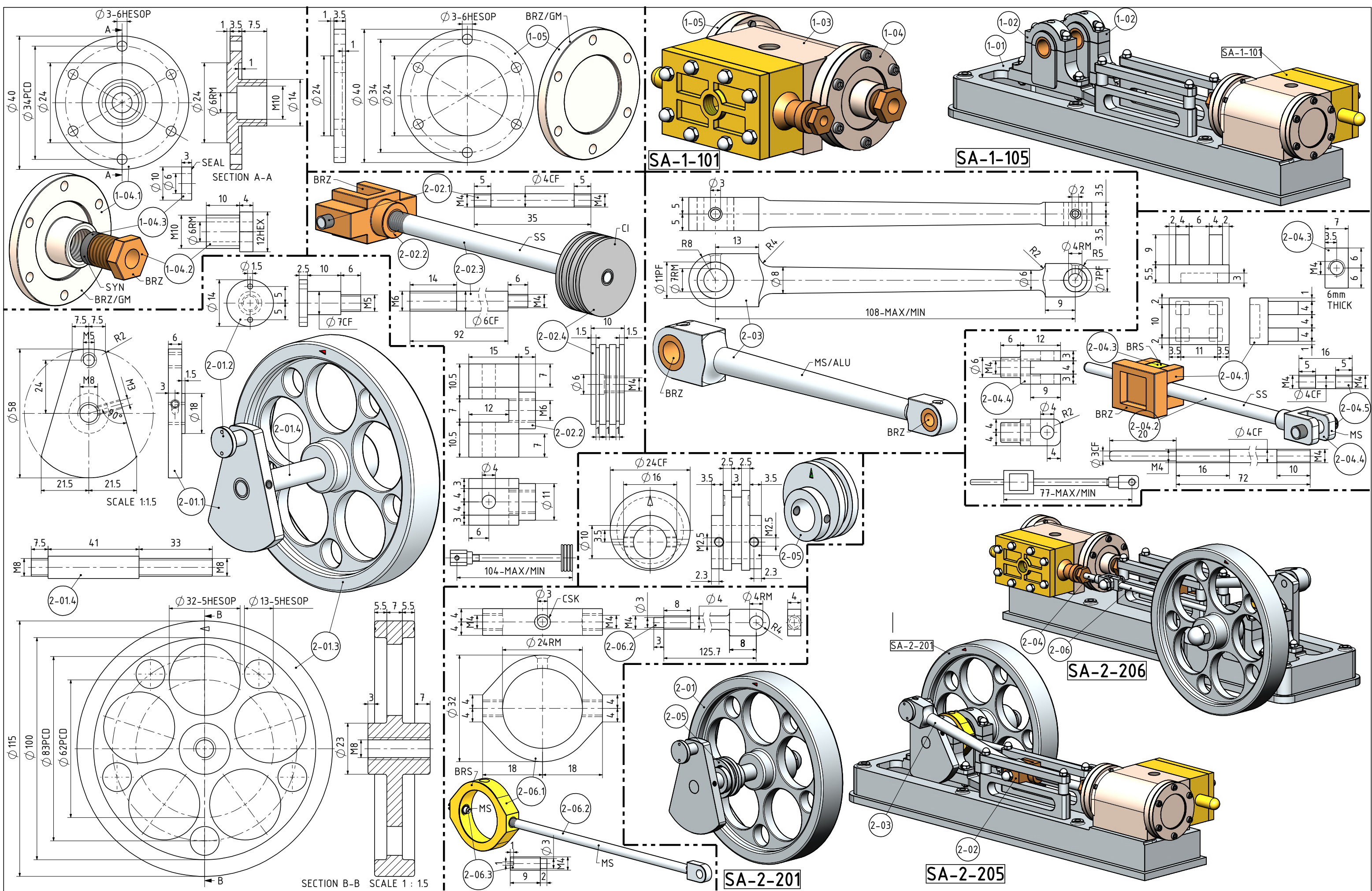
TITLE
1 CYLINDER HORIZONTAL MILL ENGINE NON REVERSING CALLED "SALLY" (B=24 S=48mm)

DRAWING CONTENTS
GENERAL ARRANGEMENT, ISOMETRIC VIEW, NOTES, BILL OF MATERIALS

PROJECT No 09B-29-00
 JDW DRAUGHTING SERVICES
 J.A.M. DE WAAL, 12 BRIGHTWELL STREET PAKAPURA
 2110, NEW ZEALAND. PHONE: 0064 09 2988815. MOB: 0211791000 E-MAIL: dewaal@xtra.co.nz.

PROJECTION
JDWDS MODEL SCALE: 1:1
 DWG SCALE: 1:1 @A3 OR AS SHOWN
 DATE SEPTEMBER 2020 Copyright © J.A.M. DE WAAL PAKAPURA NZ
 SHEET: 01 OF 04 **A3** No: 09B-29-00-SHT01

DRAWINGS ARE FOR PERSONAL USE ONLY NOT FOR COMMERCIAL PURPOSES



NOTES: THE ORIGINAL DRAWINGS WERE GIVEN TO ME. THE ORIGINAL DRAWINGS WERE PUBLISHED IN THE "MODEL ENGINEER" MAGAZINE OF 1992, ARTICLES WRITTEN BY TUBAL CAIN. ENGINE SHOWN ON THESE DRAWINGS IS 1.5 TIMES LARGER THEN ORIGINAL

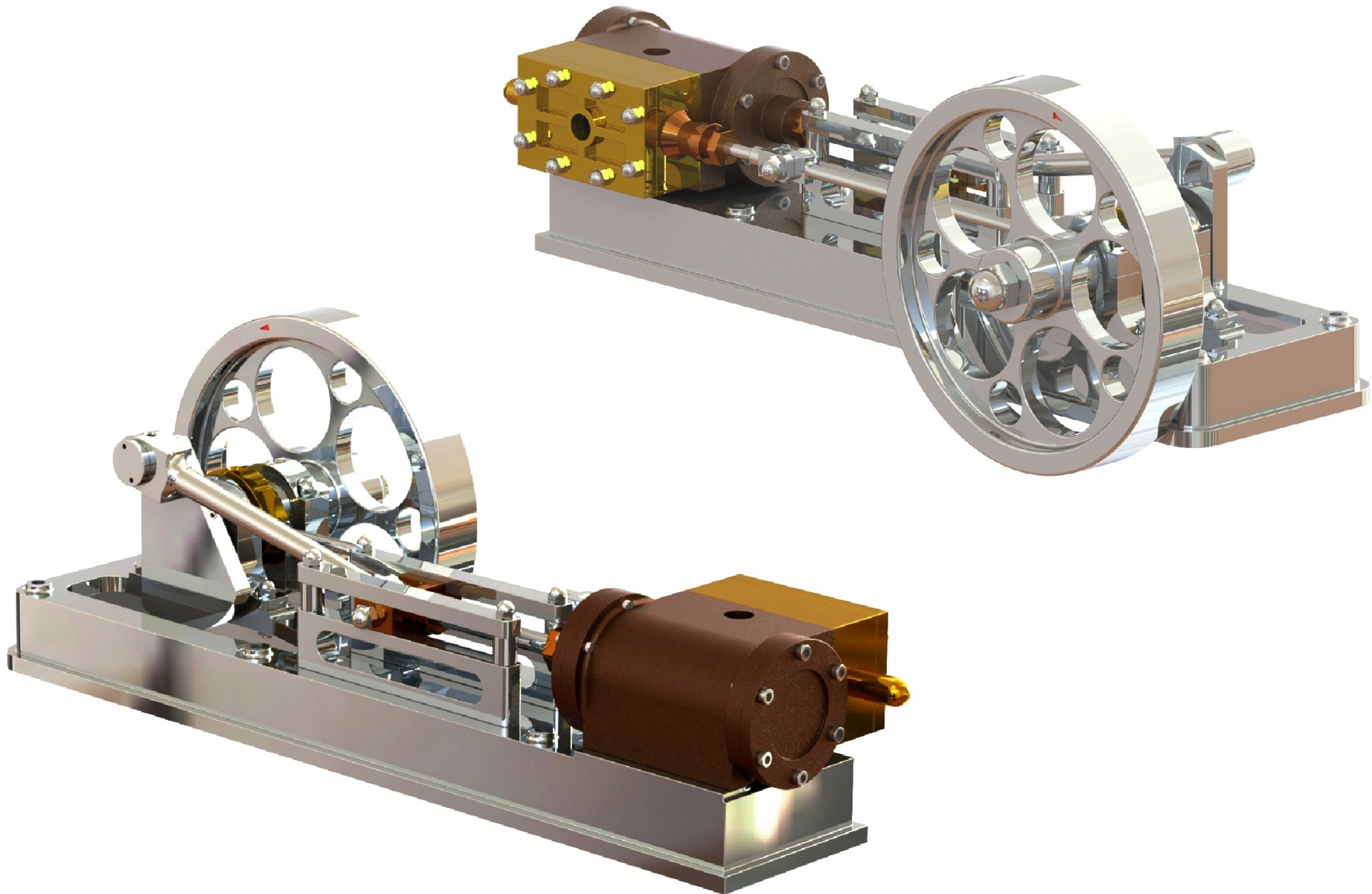
TITLE
1 CYLINDER HORIZONTAL MILL ENGINE NON REVERSING CALLED "SALLY" (B=24 S=48mm)

DRAWING CONTENTS
PARTS AND ASSEMBLIES

PROJECT No 09B-29-00
 JDW DRAUGHTING SERVICES
 J.A.M. DE WAAL, 12 BRIGHTWELL STREET PAKAPURA
 2110, NEW ZEALAND. PHONE: 0064 09 2988815. MOB: 0211791000 E-MAIL: dewaal@xtra.co.nz.

PROJECTION **JDWDS** MODEL SCALE: 1:1
 DWG SCALE: 1:1 @A3 OR AS SHOWN
 DATE SEPTEMBER 2020 Copyright © J.A.M. DE WAAL PAKAPURA NZ
 SHEET: 03 OF 04 **A3** No: 09B-29-00-SHT03

DRAWINGS ARE FOR PERSONAL USE ONLY NOT FOR COMMERCIAL PURPOSES




NOTES: THE ORIGINAL DRAWINGS WERE GIVEN TO ME. THE ORIGINAL DRAWINGS WERE PUBLISHED IN THE "MODEL ENGINEER" MAGAZINE OF 1992, ARTICLES WRITTEN BY TUBAL CAIN. ENGINE SHOWN ON THESE DRAWINGS IS 1.5 TIMES LARGER THEN ORIGINAL

TITLE
1 CYLINDER HORIZONTAL MILL ENGINE NON REVERSING CALLED "SALLY" (B=24 S=48mm)

DRAWING CONTENTS
RENDERED PICTURES

PROJECT No 09B-29-00
 JDW DRAUGHTING SERVICES
 J.A.M. DE WAAL, 12 BRIGHTWELL STREET PAKAPURA
 2110, NEW ZEALAND. PHONE: 0064 09 2988815. MOB:
 0211791000 E-MAIL: dewaal@xtra.co.nz.

PROJECTION

 DATE SEPTEMBER 2020

MODEL SCALE: 1:1
 DWG SCALE: 1:1 @A3 OR AS SHOWN
 Copyright © J.A.M. DE WAAL PAKAPURA NZ
 SHEET: 04 OF 04 **A3** No: 09B-29-00-SHT04

DRAWINGS ARE FOR PERSONAL USE ONLY NOT FOR COMMERCIAL PURPOSES